

Dell™ PowerEdge™ 2900 Systems

Getting Started With Your System

Guide de mise en route

Primeiros passos com o sistema

Procedimientos iniciales con el sistema

Model ECM01

Dell™ PowerEdge™ 2900 Systems

Getting Started With Your System

Notes, Notices, and Cautions



NOTE: A NOTE indicates important information that helps you make better use of your computer.



NOTICE: A NOTICE indicates either potential damage to hardware or loss of data and tells you how to avoid the problem.



CAUTION: A CAUTION indicates a potential for property damage, personal injury, or death.

Information in this document is subject to change without notice.

© 2005 Dell Inc. All rights reserved.

Reproduction in any manner whatsoever without the written permission of Dell Inc. is strictly forbidden.

Trademarks used in this text: *Dell* and the *DELL* logo are trademarks of Dell Inc.; *Intel* and *Xeon* are registered trademarks of Intel Corporation; *Microsoft* and *Windows* are registered trademark and *Windows Server* is a trademark of Microsoft Corporation; *Novell* and *NetWare* are registered trademarks of Novell, Inc.; *Red Hat* is a registered trademark of Red Hat, Inc.; *SUSE* is a registered trademark of SUSE LINUX Products GmbH.

Other trademarks and trade names may be used in this document to refer to either the entities claiming the marks and names or their products. Dell Inc. disclaims any proprietary interest in trademarks and trade names other than its own.

Model ECM01

November 2005

P/N YC466

Rev. A00

System Features

The major hardware and software features of your system include:

- One or two Dual-Core Intel® Xeon® Processors 5000 Sequence.
- Support for symmetric multiprocessing (SMP), which is available on systems with two Intel Xeon processors. SMP greatly improves overall system performance by dividing processor operations between independent processors. To take advantage of this feature, you must use an operating system that supports multiprocessing.



NOTE: If you decide to upgrade your system by installing a second processor, you must order the processor upgrade kits from Dell. Not all versions of the Intel Xeon processor will work properly as additional processors. The upgrade kit from Dell contains the correct version of the processor, heat sink, and fan as well as the instructions for performing the upgrade.

- A minimum of 512 MB of 533 or 667 MHz (when available), Fully Buffered DIMMs (FBD), upgradable to a maximum of 48 GB by installing combinations of 256-MB, 512-MB, 1-GB, 2-GB, or 4-GB memory modules in the twelve memory module sockets on the system board.

The system also features redundant memory, which provides memory sparing or memory mirroring. Either feature is available if eight or twelve identical memory modules are installed.

- Support for up to ten 3.5-inch, internal hot-pluggable Serial-Attached SCSI (SAS) or SATA hard drives (eight 3.5-inch internal hard drives with hot-pluggable backplane board, and support for two additional hot-pluggable 3.5-inch drives in the peripheral bay using the optional 1x2 flexbay backplane board).
- Peripheral bay provides support for an optional optical drive and an optional half-height tape backup unit (TBU). A full-height TBU is supported with the 1x2 flexbay bracket removed.
- An optional single, 1.44-MB, 3.5-inch diskette drive.
- An optional CD, DVD, or combination CD-RW/DVD drive.



NOTE: DVD devices are data only.

- An intrusion switch that signals the appropriate systems management software if the top cover is opened.
- Up to two hot-pluggable, 930-W power supplies in a 1 + 1 redundant configuration.
- Six hot-pluggable system cooling fans.

The system board includes the following features:

- Six PCI slots located in an expansion-card cage. Slots 1 and 2 are 3.3-V, 64-bit, 133-MHz PCI-X slots; slot 3 is a 3.3-V, PCIe x8 lane; slots 4 through 6 are 3.3-V, PCIe x4 lanes. Expansion-card slots accommodate full-height, full-length expansion cards. PCIe slots accommodate up to x8 expansion cards.
- Dedicated PCI slot for an integrated SAS host bus adapter or an optional integrated RAID controller card with 256 MB of cache memory and a RAID battery.



NOTE: System boot is not supported from an external device attached to a SAS or SCSI adapter, including SAS 5/E, PERC 5/E, or PERC 4e/DC. See support.dell.com for the latest support information about booting from external devices.

- Two integrated Gigabit Ethernet NICs, capable of supporting 10-Mbps, 100-Mbps, and 1000-Mbps data rates.
- Six USB 2.0-compliant connectors (two on the front and four on the back) capable of supporting a diskette drive, a CD-ROM or DVD-ROM drive, a keyboard, a mouse, or a USB flash drive.
- Optional remote access controller (RAC) for remote systems management.
- An integrated VGA-compatible video subsystem with an ATI ES1000, 33-MHz PCI video controller. This video subsystem contains 16 MB of DDR SDRAM video memory (nonupgradable). Maximum resolution is 1600 x 1200 with 64 K colors; true-color graphics are supported in the following resolutions: 640 x 480, 800 x 600, 1024 x 768, 1152 x 864, and 1280 x 1024. When the optional RAC is installed, the video resolution is 1024 X 768.
- Systems management circuitry that monitors operation of the system fans as well as critical system voltages and temperatures. The systems management circuitry works in conjunction with the systems management software.
- Standard baseboard management controller with serial access.
- Back-panel connectors include one serial, one video, four USB, and two NIC connectors.
- Front-panel connectors include a video and two USB connectors.
- Front-panel 1x5 LCD for system ID and error messaging.
- System ID button on the front and back panels.

For more information about specific features, see "Technical Specifications" on page 10.

Supported Operating Systems

- Microsoft® Windows Server™ 2003 Standard and Enterprise Editions
- Microsoft Windows Small Business Server 2003, Standard and Premium Editions
- Microsoft Windows Server 2003 Standard and Enterprise x64 Editions
- Red Hat® Enterprise Linux AS and ES (version 3 and version 4) for Intel x86

- Red Hat Enterprise Linux AS and ES (version 4) for Intel Extended Memory 64 Technology (Intel EM64T)
- SUSE® Linux Enterprise Server 9 for Intel EM64T
- Novell® NetWare® 6.5 (when available; not available factory-installed)

Other Information You May Need

 **CAUTION:** The *Product Information Guide* provides important safety and regulatory information. Warranty information may be included within this document or as a separate document.

- The *Rack Installation Instructions* or *Rack Installation Guide* included with your rack solution describes how to install your system into a rack.
- The *Hardware Owner's Manual* provides information about system features and describes how to troubleshoot the system and install or replace system components. The *Hardware Owner's Manual* is available on the CDs that came with your system or on support.dell.com.
- CDs included with your system provide documentation and tools for configuring and managing your system.
- Release notes or readme files may be included to provide last-minute updates to the system or documentation or advanced technical reference material intended for experienced users or technicians.

Obtaining Technical Assistance


If you do not understand a procedure in this guide or if the system does not perform as expected, see your *Hardware Owner's Manual*.


Dell Enterprise Training and Certification is available; see www.dell.com/training for more information. This service may not be offered in all locations.

Installation and Configuration

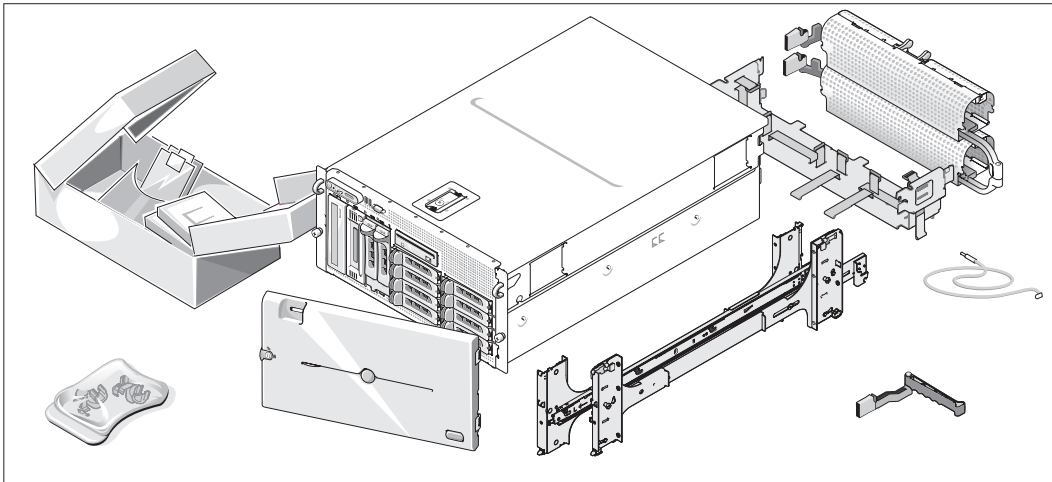
 **CAUTION:** Before performing the following procedure, read and follow the safety instructions and important regulatory information in your *Product Information Guide*.

This section describes the steps to set up your system for the first time. The illustrations that follow show a rack-mounted system, but the installation procedure applies in large part to a stand-alone tower system. In place of the rack installation in step 2, refer to the documentation included with your system on installing the stabilizer feet on your system.

 **CAUTION:** Installing the feet on a stand-alone tower system is necessary to provide a stable foundation for the system. Failure to install the feet poses the risk of having the system tip over, possibly causing bodily injury or damage to the system.

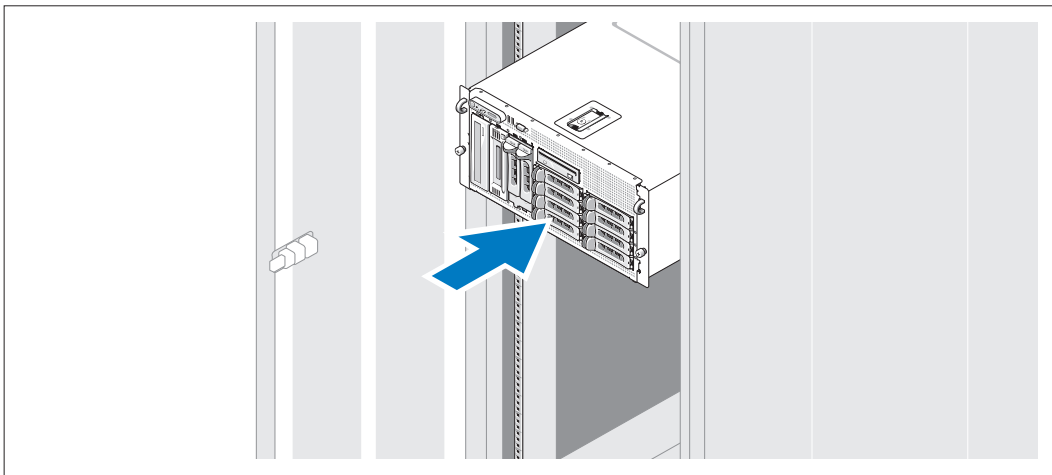
 **CAUTION:** Whenever you need to lift the system, get others to assist you. To avoid injury, do not attempt to lift the system by yourself.

Unpacking the System



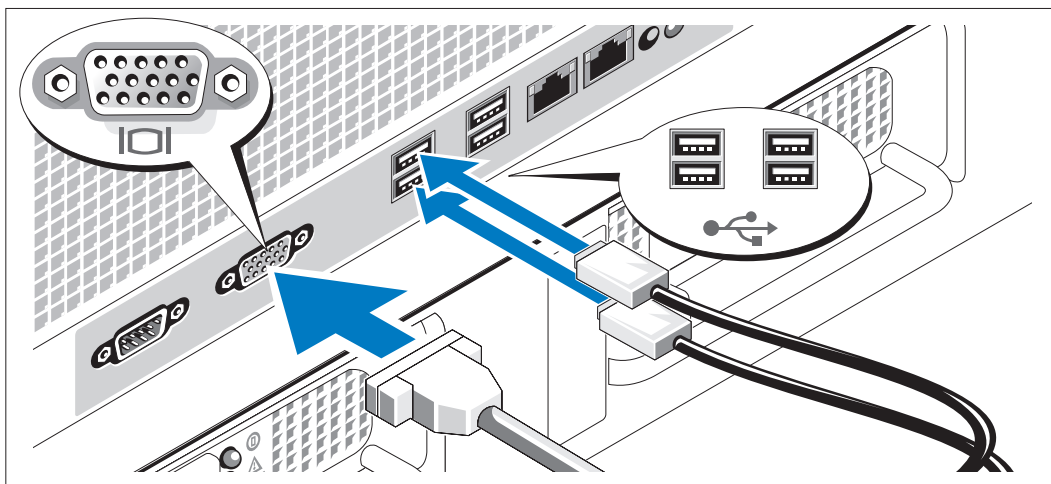
- 1 Unpack your system and identify each item.
Keep all shipping materials in case you need them later.

Installing the Rails and System in a Rack



- 2 Once you have read the "Safety Instructions" located in the rack installation documentation for your system, install the rails and the system in the rack.
See your rack installation documentation for instructions on installing your system in a rack.
For a tower system, see the documentation included with your system on installing the system stabilizer feet.

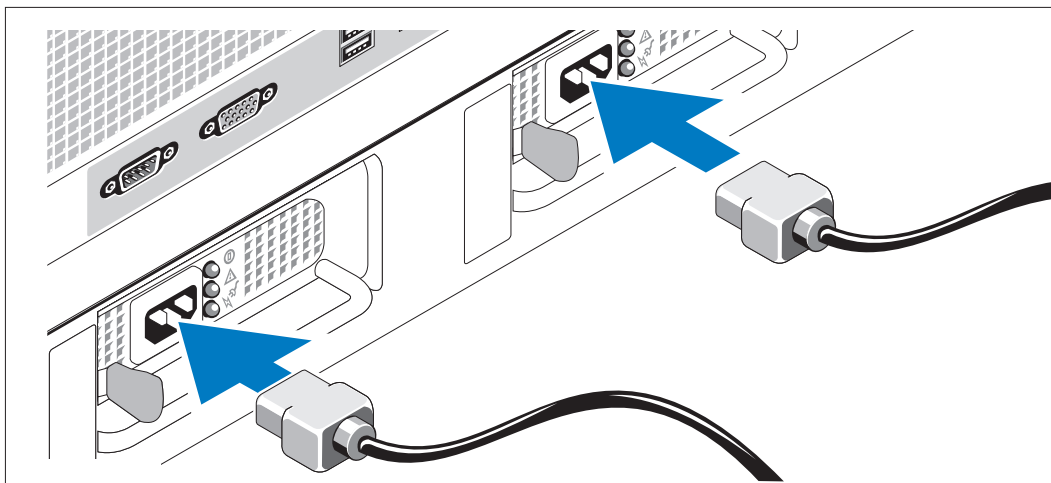
Connecting the Keyboard, Mouse, and Monitor



- 3 Connect the keyboard, mouse, and monitor (optional).

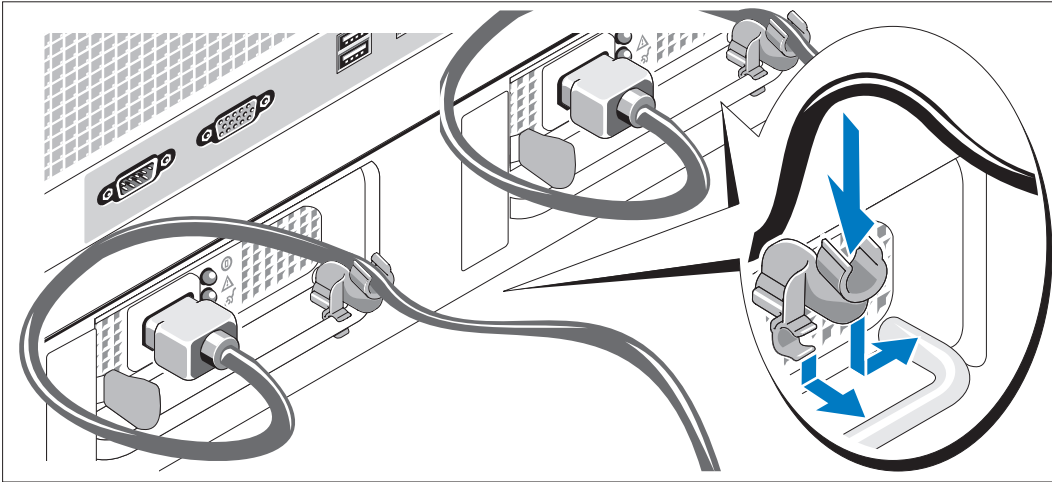
The connectors on the back of your system have icons indicating which cable to plug into each connector. Be sure to tighten the screws (if any) on the monitor's cable connector.

Connecting the Power



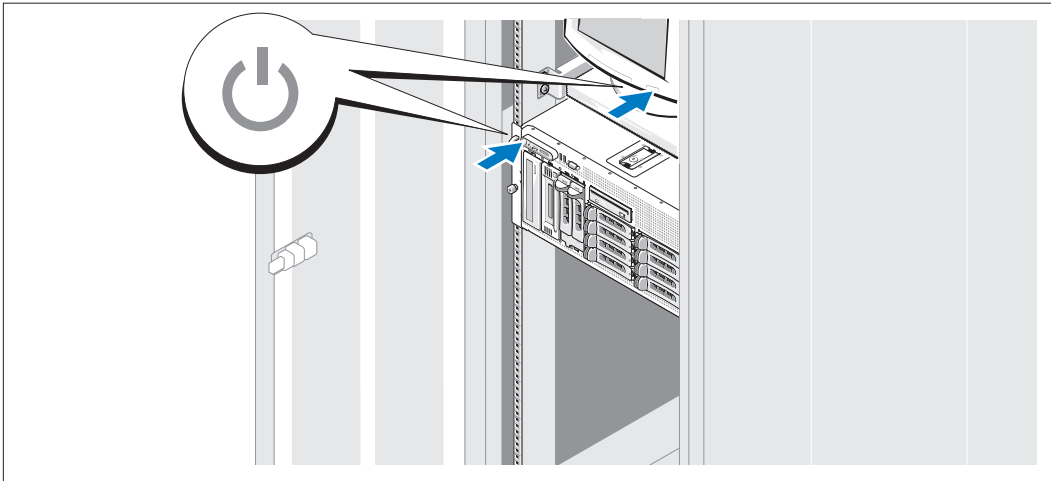
- 4 Connect the system's power cable(s) to the system.
- 5 Plug the other end of the cable into a grounded electrical outlet or a separate power source such as an uninterruptible power supply (UPS) or a power distribution unit (PDU).

Installing the Power Cord Retention Bracket



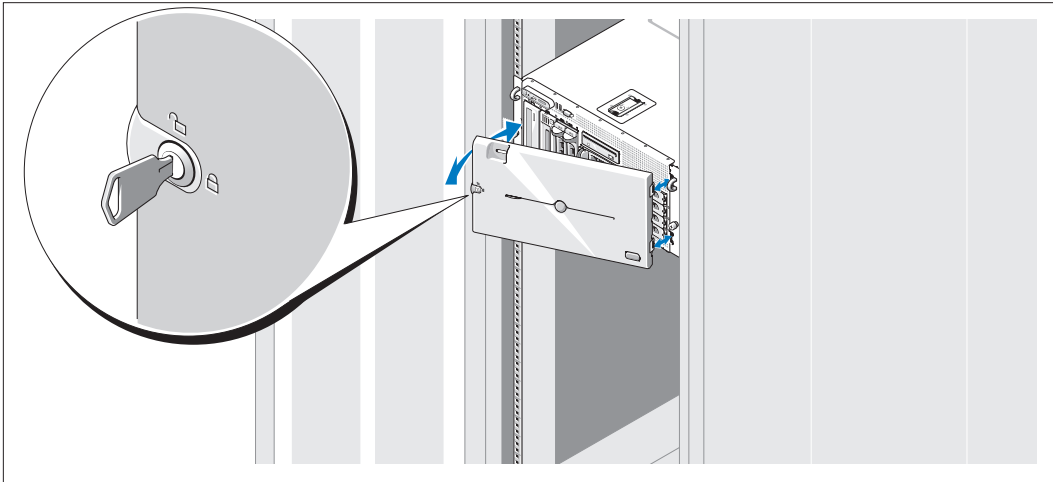
- 6 Attach the power cord retention bracket on the right bend of the power supply handle. Bend the system power cable into a loop as shown in the illustration and attach to the bracket's cable clasp. Repeat the procedure for the second power supply.

Turning on the System



- 7 Turn on the system and monitor (optional).
Press the power button on the system and the monitor. The power indicators should light. Adjust the monitor's controls until the displayed image is satisfactory.

Installing the Bezel



- 8 Install the bezel (optional).

Complete the Operating System Setup

If you purchased a preinstalled operating system, see the operating system documentation that ships with your system. To install an operating system for the first time, see the *Quick Installation Guide*. Be sure the operating system is installed before installing hardware or software not purchased with the system.

Technical Specifications

Processor	
Processor type	One or two Dual-Core Intel Xeon Processors 5000 Sequence

Expansion Bus	
Bus type	PCI, PCI-X, PCIe
Expansion slots	
PCI-X	two full-height, full-length 3.3-V, 64-bit, 133-MHz (slots 1 and 2)
PCIe	one x8 lane, 3.3-V (slot 3) three x4 lanes, 3.3-V (slots 4 through 6)

Memory	
Architecture	533 or 667 MHz (when available) Fully Buffered DIMMs (FBD)
Memory module sockets	twelve 240-pin
Memory module capacities	256 MB, 512 MB, 1 GB, 2 GB, or 4 GB
Minimum RAM	512 MB (two 256-MB module)
Maximum RAM	48 GB

Drives	
Hard drives	up to ten 3.5-inch, internal, hot-plug SAS or SATA <ul style="list-style-type: none">• eight drives in the internal drive bay• two drives in the optional 1x2 flexbay backplane expansion
Diskette drive	one optional 3.5-inch, 1.44-MB external optional USB 3.5-inch, 1.44-MB
Optical drive	one optional CD, DVD, or combination CD-RW/DVD NOTE: DVD devices are data only. external optional USB CD-ROM external optional USB DVD-ROM
Flash drive	external optional USB

Connectors	
Back	
NIC	Two TOE-capable RJ-45 (for integrated 1-GB NICs)
Serial	9-pin, DTE, 16550-compatible
USB	Four 4-pin, USB 2.0-compliant
Video	15-pin VGA
Front	
Video	15-pin VGA
USB	Two 4-pin, USB 2.0-compliant
Video	
Video type	ATI ES1000 video controller; VGA connectors
Video memory	16 MB of DDR SDRAM
Power	
AC power supply (per power supply)	
Wattage	930 W
Voltage	90–264 VAC, autoranging, 47–63 Hz
Heat dissipation	2697 BTU/hr maximum
Maximum inrush current	Under typical line conditions and over the entire system ambient operating range, the inrush current may reach 55 A per power supply for 10 ms or less
Batteries	
System battery	CR 2032 3.0-V lithium ion coin cell
RAID battery (optional)	4.1-V lithium ion
Physical	
Rack	
Height	21.77 cm (8.57 in)
Width	44.27 cm (17.43 in) chassis only 48.27 cm (19 in) with rack flanges

Physical (continued)

Depth	66.13 cm (26.04 in) does not include control panel or bezel; control panel adds an additional 1.3 cm (.51 in)
-------	---

Weight (maximum configuration)	45.36 kg (100 lb)
--------------------------------	-------------------

Tower (without bezel)

Height	47.89 cm (18.85 in) with feet, no casters
--------	---

Width	22.66 cm (8.92 in)
-------	--------------------

Depth	66.13 cm (26.04 in) does not include control panel or bezel; control panel adds an additional 1.3 cm (.51 in)
-------	---

Weight (maximum configuration)	49.9 kg (110 lb)
--------------------------------	------------------

Environmental

NOTE: For additional information about environmental measurements for specific system configurations, see www.dell.com/environmental_datasheets.

Temperature

Operating	10° to 35°C (50° to 95°F)
-----------	---------------------------

Storage	-40° to 65°C (-40° to 149°F)
---------	------------------------------

Relative humidity

Operating	20% to 80% (noncondensing) with a maximum humidity gradation of 10% per hour
-----------	--

Storage	5% to 95% (noncondensing)
---------	---------------------------

Maximum vibration

Operating	0.26 G from 5–350Hz for 2 min in the Z axis
-----------	---

Storage	1.54 G from 10–250 Hz for 15 min in all orientations
---------	--

Maximum shock

Operating	One shock pulse in the positive z axis (one pulse on each side of the system) of 41 G for up to 2 ms
-----------	--

Storage	Six consecutively executed shock pulses in the positive and negative x, y, and z axes (one pulse on each side of the system) of 71 G for up to 2 ms
---------	---

Altitude

Operating	-16 to 3048 m (-50 to 10,000 ft)
-----------	----------------------------------

Storage	-16 to 10,600 m (-50 to 35,000 ft)
---------	------------------------------------

Systemes Dell™ PowerEdge™ 2900

Guide de mise en route

Remarques, avis et précautions



REMARQUE : une REMARQUE indique des informations importantes qui peuvent vous aider à mieux utiliser votre ordinateur.



AVIS : un AVIS vous avertit d'un risque de dommage matériel ou de perte de données et vous indique comment éviter le problème.



PRÉCAUTION : une PRÉCAUTION indique un risque potentiel d'endommagement du matériel, de blessure corporelle ou de mort.

Les informations contenues dans ce document peuvent être modifiées sans préavis.

© 2005 Dell Inc. Tous droits réservés.

La reproduction de ce document de quelque manière que ce soit sans l'autorisation écrite de Dell Inc. est strictement interdite.

Marques utilisées dans ce document : *Dell* et le logo *DELL* sont des marques de Dell Inc. ; *Intel* et *Xeon* sont des marques déposées de Intel Corporation ; *Microsoft* et *Windows* sont des marques déposées de Microsoft Corporation ; *Windows Server* est une marque de Microsoft Corporation ; *Novell* et *NetWare* sont des marques déposées de Novell, Inc. ; *Red Hat* est une marque déposée de Red Hat, Inc. ; *SUSE* est une marque déposée de SUSE LINUX Products GmbH.

Tous les autres noms de marques et marques commerciales utilisés dans ce document se rapportent aux sociétés propriétaires des marques et des noms de ces produits. Dell Inc. décline tout intérêt dans l'utilisation des marques déposées et des noms de marques ne lui appartenant pas.

Modèle ECM01

Novembre 2005

P/N YC466

Rev. A00

Caractéristiques du système

Les caractéristiques principales du système sont les suivantes :

- Un ou deux processeurs double cœur Intel® Xeon® 5000.
- Prise en charge du SMP (Symmetric Multiprocessing [multi-traitement symétrique]), disponible sur les systèmes dotés de deux processeurs Intel Xeon. Le SMP améliore considérablement les performances du système en partageant les tâches des processeurs entre des processeurs indépendants. Pour utiliser cette fonctionnalité, vous devez utiliser un système d'exploitation prenant en charge le multi-traitement.



REMARQUE : si vous décidez de mettre le système à niveau en installant un second processeur, vous devez commander les kits de mise à niveau de processeur chez Dell. Certaines versions du processeur Intel Xeon ne fonctionnent pas correctement comme processeurs supplémentaires. Le kit de mise à niveau de Dell contient la version de processeur correcte, le dissipateur de chaleur et le ventilateur ainsi que les instructions de mise à niveau.

- Un minimum de 512 Mo sous forme de barrettes DIMM FBD (Fully Buffered DIMM), 533 à 667 MHz (selon disponibilité), extensibles à un maximum de 48 Go via l'installation de combinaisons de barrettes de 256 Mo, 512 Mo, 1 Go, 2 Go ou 4 Go dans les douze emplacements pour barrettes mémoire de la carte système.

Le système est également équipé d'une mémoire redondante, ce qui permet de bénéficier d'une réserve utilisée en cas de défaillance, ou d'une fonction de mise en miroir de la mémoire. Ces fonctions sont disponibles si huit ou douze des modules de mémoire installés sont identiques.

- Prise en charge possible de dix disques durs 3,5 pouces SAS ou SATA internes et enfichables à chaud (huit avec une carte de fond de panier enfichable à chaud, et deux lecteurs supplémentaires dans la baie de périphériques avec la carte de fond de panier FlexBay 1x2 en option).
- La baie de périphériques peut aussi recevoir les options suivantes : un lecteur optique et un périphérique de sauvegarde sur bande (TBU) de mi-hauteur. Une TBU pleine hauteur peut être installée si le support de la carte de fond de panier FlexBay 1x2 est retiré.
- Un lecteur de disquette de 1,44 Mo/3,5 pouces, en option
- Un lecteur de CD ou de DVD ou un lecteur combiné CD-RW/DVD (tous deux en option)



REMARQUE : les périphériques DVD sont uniquement des périphériques de données.

- Un détecteur d'intrusion qui transmet une alerte au logiciel de gestion des systèmes approprié en cas d'ouverture du capot de l'ordinateur.
- Jusqu'à deux blocs d'alimentation de 930 W enfichables à chaud dans une configuration redondante 1 + 1.
- Six ventilateurs de refroidissement enfichables à chaud.

La carte système contient les éléments suivants :

- Six logements PCI situés dans un bâti de cartes d'extension. Logements 1 et 2 : PCI-X 64 bits à 3,3 V et 133 MHz. Logement 3 : PCIe x8 à 3,3 V. Logements 4 à 6 : PCIe x4 à 3,3 V. Les logements de cartes d'extension permettent d'installer des cartes d'extension pleine hauteur et pleine longueur. Le format maximal pris en charge par les logements PCIe pour les cartes d'extension est x8.
- Logement PCI réservé pour un adaptateur de bus hôte SAS intégré ou une carte contrôleur RAID intégrée en option avec mémoire cache de 256 Mo et pile RAID.



REMARQUE : le démarrage du système à partir d'un périphérique externe connecté à une carte SAS ou SCSI n'est pas pris en charge (cartes SAS 5/E, PERC 5/E et PERC 4e/DC incluses). Voir le site support.dell.com pour obtenir les informations les plus récentes concernant le démarrage à partir de périphériques externes.

- Deux NIC Ethernet Gigabit intégrés pouvant prendre en charge des débits de données de 10, 100 et 1000 Mbps.
- Six connecteurs USB 2.0 (deux à l'avant et quatre à l'arrière) pour la connexion d'un périphérique externe (lecteur de disquette, de CD-ROM ou de DVD-ROM, clavier, souris ou lecteur flash USB).
- Un contrôleur d'accès à distance en option, pour la gestion de systèmes à distance.
- Un sous-système vidéo compatible VGA intégré avec un contrôleur vidéo PCI ATI ES1000 à 33 MHz. Ce sous-système vidéo contient 16 Mo de mémoire vidéo SDRAM DDR (non extensible). La définition maximale prise en charge est de 1600 x 1200 avec 64 000 couleurs. Les graphiques True-color sont pris en charge dans les définitions suivantes : 640 x 480, 800 x 600, 1024 x 768, 1152 x 864 et 1280 x 1024. Lorsque la carte d'accès à distance en option est installée, la définition vidéo est de 1024 X 768.
- Des circuits intégrés de gestion de systèmes surveillant le fonctionnement des ventilateurs, ainsi que les tensions et les températures critiques. Ces circuits de surveillance fonctionnent de pair avec les logiciels de gestion de systèmes.
- Un contrôleur BMC standard avec accès série.
- Le panneau arrière contient un connecteur vidéo, un port série, quatre connecteurs USB et deux connecteurs de NIC.
- Les connecteurs du panneau avant comprennent un connecteur vidéo et deux connecteurs USB.
- Un écran LCD 1x5 sur le panneau avant, affichant l'ID du système et les messages d'erreur.
- Un bouton d'ID du système sur les panneaux avant et arrière

Pour plus d'informations sur des caractéristiques spécifiques, voir "Spécifications techniques", à la page 22.

Systèmes d'exploitation pris en charge

- Microsoft® Windows Server™ 2003 Standard Edition et Enterprise Edition
- Microsoft Windows Small Business Server 2003, Standard Edition et Premium Edition
- Microsoft Windows Server 2003 Standard Edition et Enterprise x64 Edition
- Red Hat® Enterprise Linux AS et ES (versions 3 et 4) pour Intel x86
- Red Hat Enterprise Linux AS et ES (version 4) pour Intel EM64T
- SUSE® Linux Enterprise Server 9 pour Intel EM64T
- Novell® NetWare® 6.5 (selon disponibilité, non installé en usine)

Autres informations utiles

 **PRÉCAUTION** : le *Guide d'informations sur le produit* contient d'importantes informations se rapportant à la sécurité et aux réglementations. Les informations sur la garantie se trouvent soit dans ce document, soit à part.


- Le document *Instructions d'installation du rack* ou le *Guide d'installation du rack* fournis avec la solution rack décrivent l'installation du système.
- Le document *Hardware Owner's Manual* (Manuel du propriétaire) contient des informations sur les caractéristiques du système, ainsi que des instructions relatives au dépannage et à l'installation ou au remplacement de composants. Il se trouve sur les CD fournis avec le système et sur le site support.dell.com.
- Les CD fournis avec le système contiennent des documents et des outils relatifs à la configuration et à la gestion du système.
- Des notes de version ou des fichiers lisez-moi (readme) sont parfois fournis ; ils contiennent des mises à jour de dernière minute apportées au système ou à la documentation, ou des documents de référence technique avancés destinés aux utilisateurs expérimentés ou aux techniciens.

Obtention d'une assistance technique


Si vous ne comprenez pas une procédure décrite dans ce guide ou si le système ne réagit pas comme prévu, consultez le document *Hardware Owner's Manual* (Manuel du propriétaire).

Des formations et certifications Dell Enterprise sont disponibles. Pour plus d'informations, consultez le site www.dell.com/training. Ce service n'est disponible que dans certains pays.

Installation et configuration

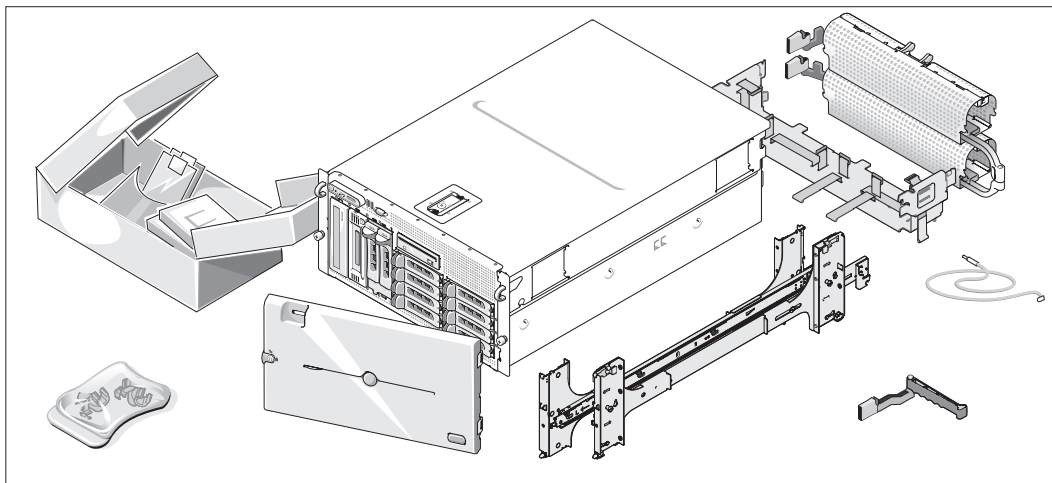
 **PRÉCAUTION** : avant d'exécuter la procédure suivante, lisez les consignes de sécurité et les informations importantes sur les réglementations figurant dans le *Guide d'informations sur le produit*. Veillez à les respecter scrupuleusement.

Cette section décrit les étapes à exécuter lors de la configuration initiale du système. Les illustrations suivantes représentent un système monté en rack, mais la majeure partie de la procédure s'applique aux systèmes autonomes dotés d'une tour. Au lieu de suivre les instructions d'installation en rack de l'étape 2, reportez-vous aux consignes de la documentation du système indiquant comment installer les pieds stabilisateurs.

 **PRÉCAUTION** : l'installation des pieds stabilisateurs sur un système autonome configuré en tour est indispensable. Sinon, le système risque de basculer, ce qui pourrait entraîner des dommages matériels et occasionner des blessures corporelles.

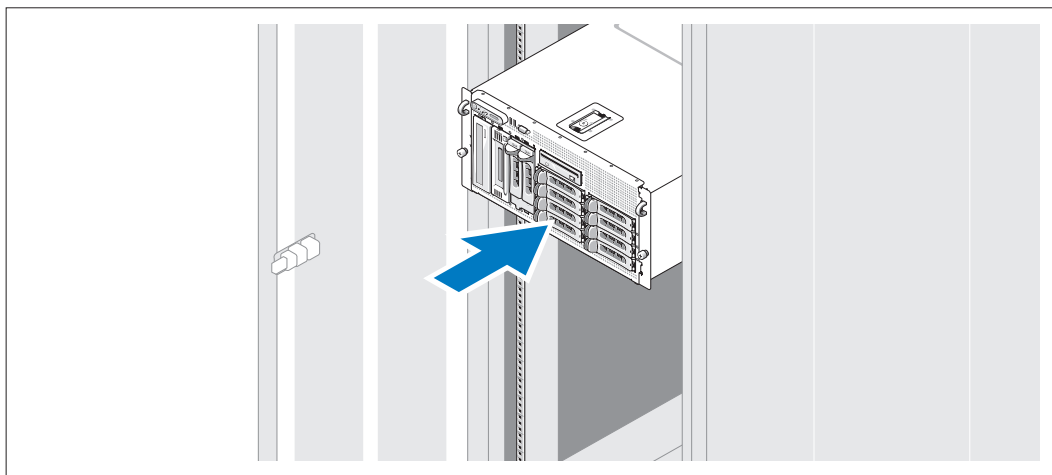
 **PRÉCAUTION** : demandez toujours de l'aide avant de soulever le système. N'essayez pas de le soulever seul car vous risqueriez de vous blesser.

Déballage du système



- 1 Sortez le système de son emballage et identifiez chaque élément fourni.
Conservez les matériaux d'emballage au cas où vous en auriez besoin ultérieurement.

Installation des rails et du système dans un rack

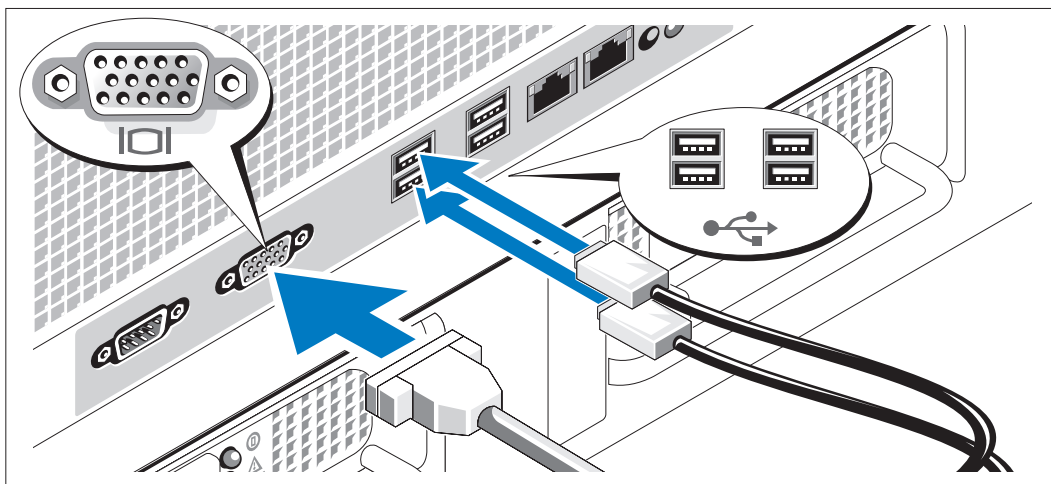


- 2 Commencez par lire les consignes de sécurité qui se trouvent dans la documentation d'installation du rack, puis installez les rails et le système dans le rack.

Consultez la documentation d'installation du rack pour obtenir les instructions appropriées.

Pour un système configuré en tour, consultez la documentation appropriée pour savoir comment installer les pieds stabilisateurs.

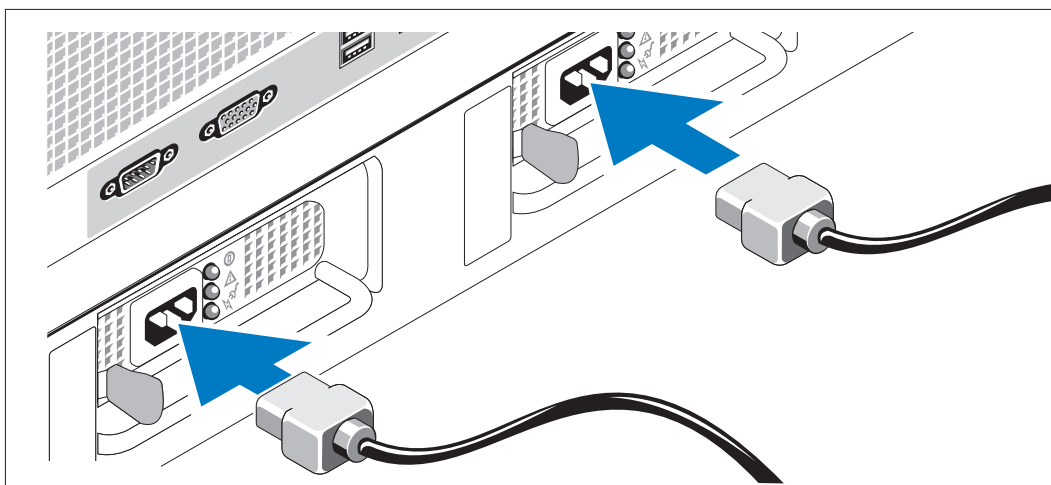
Connexion du clavier, de la souris et du moniteur



- 3 Connectez le clavier, la souris et le moniteur (facultatif).

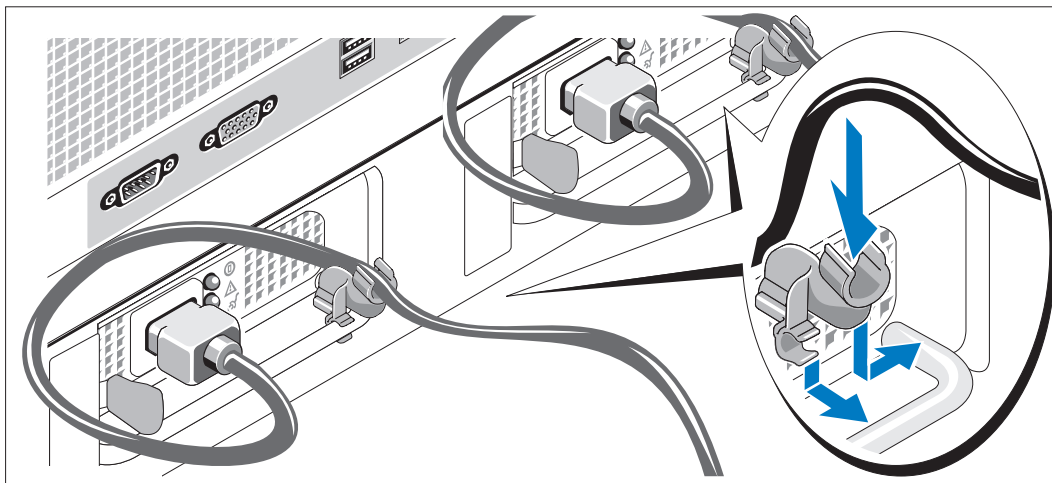
À l'arrière du système, de petites icônes indiquent quel câble doit être inséré dans chaque connecteur. N'oubliez pas de serrer les vis situées sur le connecteur du câble du moniteur, s'il en est équipé.

Connexion des cordons d'alimentation



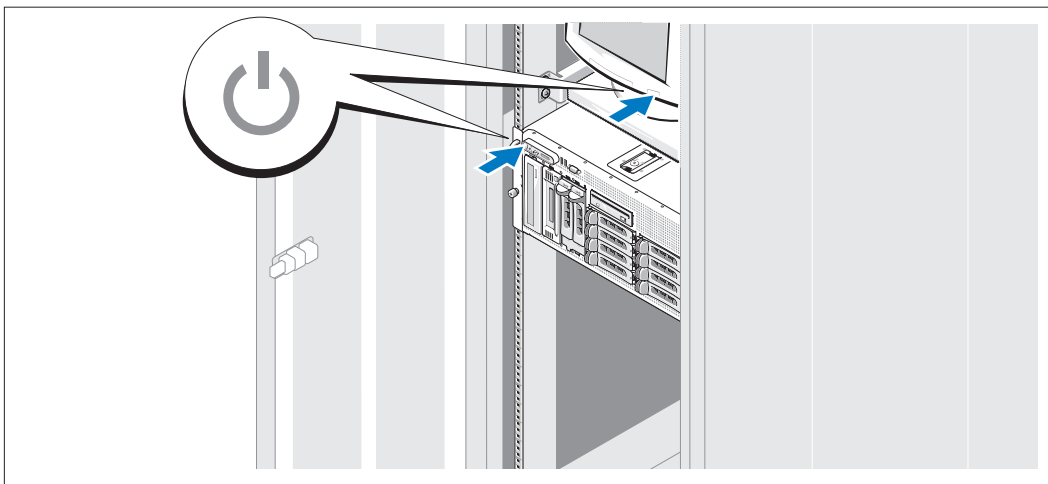
- 4 Branchez le cordon d'alimentation sur le système.
- 5 Branchez ensuite l'autre extrémité du cordon sur une prise de courant mise à la terre ou sur une source d'alimentation autonome (onduleur ou unité de distribution de l'alimentation).

Fixation du support du cordon d'alimentation



- 6 Fixez le support du cordon sur la partie droite de la poignée du bloc d'alimentation. Faites une boucle comme indiqué dans l'illustration et insérez le cordon d'alimentation dans le clip du support. Recommencez cette procédure pour le second bloc d'alimentation.

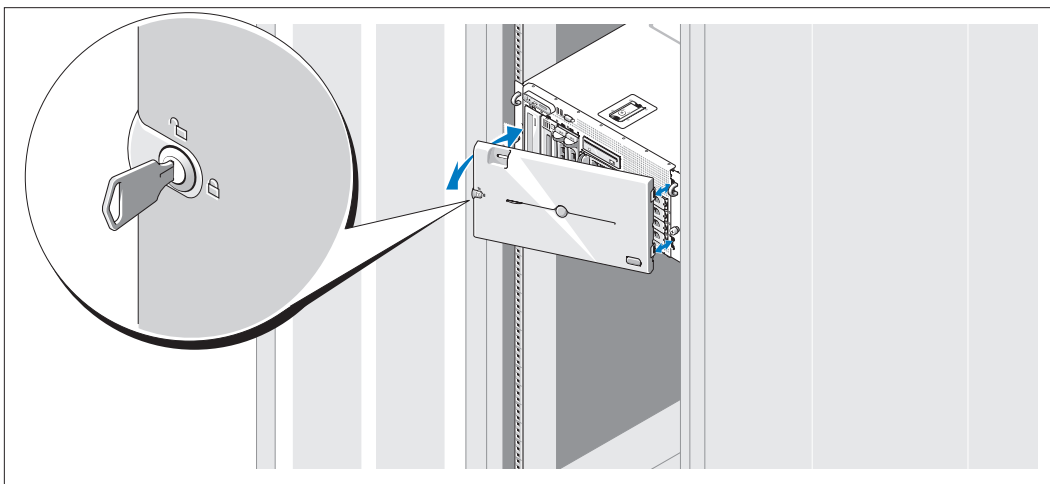
Mise sous tension du système



- 7 Mettez le système sous tension, ainsi que le moniteur, si nécessaire.

Appuyez sur le bouton d'alimentation du système et sur celui du moniteur. Les voyants d'alimentation doivent s'allumer. Réglez le moniteur jusqu'à ce que l'image affichée soit correcte.

Installation du cadre



- 8 Installez le cadre (facultatif).

Finalisation de l'installation du système d'exploitation

Si vous avez acheté un système d'exploitation préinstallé, consultez tout d'abord la documentation correspondante, qui vous a été fournie avec le système. Si vous installez un système d'exploitation pour la première fois, consultez le document *Quick Installation Guide* (Guide d'installation rapide). Veillez à installer le système d'exploitation avant tout élément matériel ou logiciel acheté séparément.

Spécifications techniques

Processeur	
Type de processeur	1 ou 2 processeurs double cœur Intel Xeon 5000
Bus d'extension	
Type de bus	PCI, PCI-X, PCIe
Logements d'extension	
PCI-X	Les emplacements 1 et 2 peuvent accueillir 2 cartes 64 bits, pleine hauteur, pleine longueur, fonctionnant à 3,3 V et cadencées à 133 MHz.
PCIe	Emplacement 3 : x8 / 3,3 V Emplacements 4, 5 et 6 : x4 / 3,3 V
Mémoire	
Architecture	Barrettes DIMM FBD (Fully Buffered DIMM) à 533 ou 667 MHz (selon disponibilité)
Supports de module de mémoire	Douze à 240 broches
Modules mémoire compatibles	256 Mo, 512 Mo, 1 Go, 2 Go ou 4 Go
RAM minimale	512 Mo (deux modules de 256 Mo)
RAM maximale	48 Go
Lecteurs	
Disques durs	Jusqu'à dix disques durs internes SAS ou SATA de 3,5 pouces, enfichables à chaud <ul style="list-style-type: none">• Huit disques dans la baie de lecteurs interne• Deux disques dans l'extension de fond de panier FlexBay 1x2 (en option)
Lecteur de disquette	Un lecteur 3,5 pouces de 1,44 Mo en option Un lecteur USB externe 3,5 pouces de 1,44 Mo en option
Lecteur optique	Un lecteur de CD ou de DVD, ou un lecteur CD-RW/DVD (tous deux en option) REMARQUE : les périphériques DVD sont uniquement des périphériques de données. Un lecteur de CD-ROM USB externe en option Un lecteur de DVD-ROM USB externe en option
Lecteur Flash	USB externe en option

Connecteurs

À l'arrière

NIC	Deux connecteurs RJ-45 compatibles TOE (pour NIC 1 Gb intégrés)
Série	Connecteur DTE à 9 broches, compatible 16550
USB	Quatre connecteurs à 4 broches, compatibles USB 2.0
Vidéo	VGA, 15 broches

À l'avant

Vidéo	VGA, 15 broches
USB	Deux connecteurs à 4 broches, compatibles USB 2.0

Vidéo

Type de vidéo	Contrôleur vidéo ATI ES1000 ; connecteurs VGA
Mémoire vidéo	16 Mo, DDR SDRAM

Alimentation

Bloc d'alimentation CA (selon la tension en vigueur)

Puissance	930 W
Tension	90-264 VCA avec sélection automatique de la tension, 47-63 Hz
Dissipation thermique	2697 BTU/h (680 kcal/h) maximum
Appel de courant maximal	Dans des conditions de lignes typiques et dans toute la gamme ambiante de fonctionnement du système, l'appel de courant peut atteindre 55 A par bloc d'alimentation pendant un maximum de 10 ms.

Piles

Pile du système	Pile bouton au lithium-ion CR 2032 (3,0 V)
Pile RAID (en option)	4,1 V au lithium-ion

Caractéristiques physiques

Rack

Hauteur	21,77 cm (8,57 pouces)
Largeur	44,27 cm (17,43 pouces) pour le châssis seul 48,27 cm (19 pouces) avec les collerettes du rack

Caractéristiques physiques (suite)

Profondeur	66,13 cm (26,04 pouces) sans le panneau de commande et le cadre. Le panneau de commande ajoute 1,3 cm (0,51 pouce).
Poids (configuration maximale)	45,36 kg (100 livres)
Tour (sans cadre)	
Hauteur	47,89 cm (18,85 pouces) pieds compris, roulettes non installées
Largeur	22,66 cm (8,92 pouces)
Profondeur	66,13 cm (26,04 pouces) sans le panneau de commande et le cadre. Le panneau de commande ajoute 1,3 cm (0,51 pouce).
Poids (configuration maximale)	49,9 kg (110 livres)

Environnement

REMARQUE : pour plus d'informations concernant les mesures d'exploitation liées à différentes configurations spécifiques, rendez-vous sur le site www.dell.com/environmental_datasheets.

Température

En fonctionnement	De 10° à 35° C (50 à 95° F)
Stockage	De -40° à 65° C (-40° à 149 °F)

Humidité relative

En fonctionnement	De 20% à 80% (sans condensation) avec un gradient d'humidité maximal de 10% par heure
Stockage	De 5 % à 95 % (sans condensation)

Tolérance maximale aux vibrations

Fonctionnement	0,26 G avec un balayage de 5 à 350 Hz pendant 2 minutes sur l'axe Z
Stockage	1,54 G avec un balayage de 10 à 250 Hz pendant 15 minutes (dans tous les sens)

Choc maximal

Fonctionnement	Une impulsion de choc de 41 G pendant un maximum de 2 ms sur l'axe z positif (une impulsion de chaque côté du système)
Stockage	Six chocs consécutifs de 71 G pendant un maximum de 2 ms en positif et négatif sur les axes x, y et z (une impulsion de chaque côté du système)

Altitude

Fonctionnement	De -16 à 3 048 m (-50 à 10 000 pieds)
Stockage	De -16 à 10 600 m (-50 à 35 000 pieds)

Sistemas Dell™ PowerEdge™ 2900

Primeiros passos com o sistema

Notas, avisos e cuidados



NOTA: As NOTAS fornecem informações importantes que o ajudam a utilizar melhor o computador.



AVISO: As mensagens de AVISO informam sobre possíveis danos ao hardware ou perda de dados e indicam como evitar o problema.



CUIDADO: As mensagens de CUIDADO indicam possíveis danos de propriedade, ferimentos pessoais ou morte.

As informações contidas neste documento estão sujeitas a alterações sem aviso prévio.

© 2005 Dell Inc. Todos os direitos reservados.

Fica proibida a reprodução por quaisquer meios sem a permissão por escrito da Dell Inc.

Marcas comerciais mencionadas neste texto: *Dell* e o logotipo da *DELL* são marcas comerciais da Dell Inc.; *Intel* e *Xeon* são marcas registradas da Intel Corporation; *Microsoft* e *Windows* são marcas registradas e *Windows Server* é marca comercial da Microsoft Corporation; *Novell* e *NetWare* são marcas registradas da Novell, Inc.; *Red Hat* é marca registrada da Red Hat, Inc.; *SUSE* é marca registrada da SUSE LINUX Products GmbH.

Outras marcas e nomes comerciais podem ser mencionados neste documento em referência às entidades proprietárias das marcas e nomes ou seus produtos. A Dell Inc. renuncia ao direito de qualquer participação em nomes e marcas comerciais que não sejam de sua propriedade.

Modelo ECM01

Novembro de 2005

P/N YC466

Rev. A00

Recursos do sistema

Os principais recursos de hardware e software do sistema incluem:

- Um ou dois processadores Intel® Xeon® Dual Core Série 5000.
- Suporte para multiprocessamento simétrico (SMP), disponível nos sistemas com dois processadores Intel Xeon. O SMP melhora enormemente o desempenho geral do sistema dividindo as operações do processador entre processadores independentes. Para tirar vantagem desse recurso, utilize um sistema operacional que suporte o multiprocessamento.



NOTA: Se decidir atualizar o sistema por meio da instalação de um segundo processador, solicite os kits de atualização de processador da Dell. Nem todas as versões de processador Intel Xeon irão funcionar de forma adequada como processadores adicionais. O kit de atualização da Dell contém a versão correta de processador, dissipador de calor e ventilador, bem como as instruções para a execução da atualização.

- Memória mínima de 512 MB com Fully Buffered DIMMs (FBD) de 533 MHz ou 667 MHz (quando disponível), atualizável até o máximo de 48 GB por meio da instalação de combinações de módulos de memória de 256 MB, 512 MB, 1 GB, 2 GB ou 4 GB nos doze soquetes para módulos de memória existentes na placa do sistema.

O sistema também apresenta o recurso de memória redundante que proporciona reserva ou espelhamento de memória. Esses recursos estarão disponíveis se oito ou doze módulos de memória idênticos forem instalados.

- Suporte para até dez unidades de disco rígido SAS (Serial-Attached SCSI) ou SATA de 3,5 polegadas e com conexão automática (oito unidades de 3,5 polegadas e placa de backplane com conexão automática e suporte para duas unidades adicionais de 3,5 polegadas com conexão automática no compartimento periférico utilizando a placa de backplane 1x2 flexbay opcional).
- O compartimento periférico oferece suporte para uma unidade óptica opcional e uma unidade de fita para backup de meia altura (TBU). Há suporte para unidade TBU de meia altura com o suporte 1x2 flexbay removido.
- Uma unidade de disquete de 3,5 polegadas de 1,44 MB.
- Uma unidade opcional de CD, DVD ou combinação de CD-RW/DVD.



NOTA: Os dispositivos de DVD destinam-se somente a dados.

- Uma chave de violação que sinaliza ao software de gerenciamento de sistemas adequado quando a tampa superior é aberta.
- Até duas fontes de alimentação de 930 W com conexão automática, em uma configuração redundante 1+1.
- Seis ventiladores de sistema com conexão automática.

A placa de sistema inclui os seguintes recursos:

- Seis slots PCI localizados em um compartimento de placa de expansão. Os slots 1 e 2 são slots PCI-X de 3,3 V, 64 bits, 133 MHz; o slot 3 é um slot PCIe de 3,3 V de pista x8; os slots 4 a 6 são PCIe de 3,3-V, pistas x4. Os slots da placa de expansão acomodam placas de expansão de meia altura e meio comprimento. Os slots PCIe acomodam placas de expansão de até x8.
- Slot PCI dedicado para um adaptador de barramento host SAS integrado ou uma placa controladora RAID integrada opcional, com 256 MB de memória cache e uma bateria RAID.



NOTA: A inicialização do sistema não tem suporte de dispositivos externos conectados ao adaptador SAS ou SCSI, incluindo SAS 5/E, PERC 5/E ou PERC 4e/DC. Visite o site support.dell.com (em Inglês) para obter as informações de suporte mais recentes sobre a inicialização a partir de dispositivos externos.

- Duas placas NIC Gigabit Ethernet integradas, capazes de suportar taxas de dados de 10 Mbps, 100 Mbps e 1.000 Mbps.
- Seis conectores compatíveis com USB 2.0, dois na parte frontal e quatro na parte traseira, capazes de suportar unidades de disquete, unidades de CD-ROM ou DVD-ROM, teclado, mouse ou unidades flash USB.
- Controlador de acesso remoto (RAC) para o gerenciamento remoto de sistemas.
- Um subsistema de vídeo compatível com o padrão VGA, com um controlador de vídeo PCI ATI ES1000 de 33 MHz. O subsistema de vídeo contém 16 MB de memória de vídeo DDR SDRAM (não atualizável). A resolução máxima é de 1600 x 1200 com 64 mil cores e os gráficos do tipo true-color têm suporte nas seguintes resoluções: 640 x 480, 800 x 600, 1024 x 768, 1152 x 864 e 1280 x 1024. Quando o RAC opcional estiver instalado, a resolução de vídeo será de 1024 X 768.
- Circuito de gerenciamento de sistemas que monitora o funcionamento dos ventiladores do sistema e as voltagens e temperaturas críticas. O circuito de gerenciamento de sistemas trabalha em conjunto com o software de gerenciamento de sistemas.
- Controlador padrão de gerenciamento da placa de base com acesso serial.
- Os conectores do painel traseiro incluem um conector serial, um conector de vídeo, quatro conectores USB e dois conectores NIC.
- Os conectores do painel frontal incluem um conector de vídeo e dois conectores USB.
- Um visor LCD de 1x5 pol. no painel frontal para visualização da identificação do sistema e de mensagens de erro.
- Botão de identificação do sistema nos painéis frontal e traseiro.

Para obter mais informações sobre recursos específicos, consulte a seção “Especificações técnicas” na página 34.

Sistemas operacionais admitidos

- Microsoft® Windows Server™ 2003, nas edições Standard e Enterprise
- Microsoft Windows Small Business Server 2003, nas edições Standard e Premium
- Microsoft Windows Server 2003, nas edições x64 Standard e Enterprise
- Red Hat® Enterprise Linux AS e ES (versões 3 e 4) para Intel x86
- Red Hat Enterprise Linux AS e ES (versão 4) para Intel Extended Memory 64 Technology (Intel EM64T)
- SUSE® Linux Enterprise Server 9 para Intel EM64T
- Novell® NetWare® 6.5 (quando disponível; não disponível como de fábrica)

Outras informações úteis

 **CUIDADO:** O *Guia de informações do produto* fornece informações importantes sobre segurança e regulamentação. As informações sobre garantia podem estar incluídas neste documento ou serem fornecidas como documento separado.

- O documento *Rack Installation Instructions* (Instruções para montagem em rack) ou *Rack Installation Guide* (Guia para instalação em rack) incluído com a solução em rack descreve como instalar o sistema em racks.
- O *Hardware Owner's Manual* (Manual do proprietário de hardware) fornece informações sobre os recursos do sistema e descreve como solucionar problemas do sistema e instalar ou substituir seus componentes. O *Hardware Owner's Manual* está disponível nos CDs fornecidos com o sistema ou no site support.dell.com (em Inglês).
- Os CDs incluídos com o sistema fornecem documentação e ferramentas para a configuração e o gerenciamento do sistema.
- Talvez existam notas de versão e arquivos leia-me incluídos, para fornecer atualizações de última hora do sistema ou documentação/material para referência técnica avançada destinados a usuários experientes ou técnicos.

Como obter assistência técnica


Se não compreender algum procedimento descrito neste guia ou se o sistema não apresentar o desempenho esperado, consulte o *Hardware Owner's Manual* (Manual do proprietário de hardware).


Existem recursos de treinamento e certificação empresarial da Dell; visite o site www.dell.com/training (em Inglês) para obter mais informações. Esse serviço pode não ser oferecido em todos os locais.

Instalação e configuração

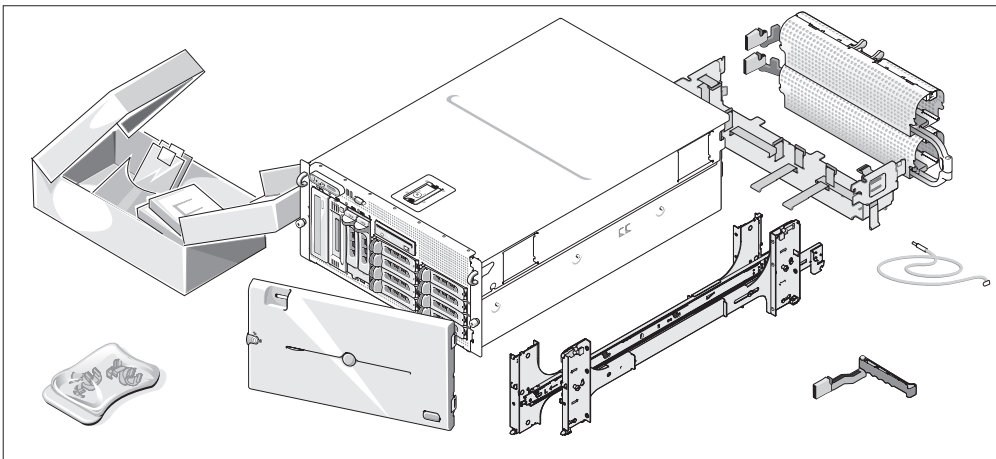
 **CUIDADO:** Antes de realizar o seguinte procedimento, leia e siga as instruções de segurança e as informações importantes sobre regulamentação contidas no *Guia de informações do produto*.

Esta seção descreve as etapas para a configuração do sistema pela primeira vez. As ilustrações seguintes mostram um sistema montado em rack, mas o procedimento de instalação aplica-se em grande parte a um sistema autônomo em torre. Na etapa 2, no lugar da instalação em rack, consulte a documentação fornecida com o sistema para saber como instalar os pés estabilizadores no sistema.

 **CUIDADO:** A instalação dos pés no sistema autônomo em torre é necessária para fornecer uma base estável para o sistema. A falha nesse procedimento apresenta o risco de tombamento do sistema, o que pode causar ferimentos pessoais ou danificar o equipamento.

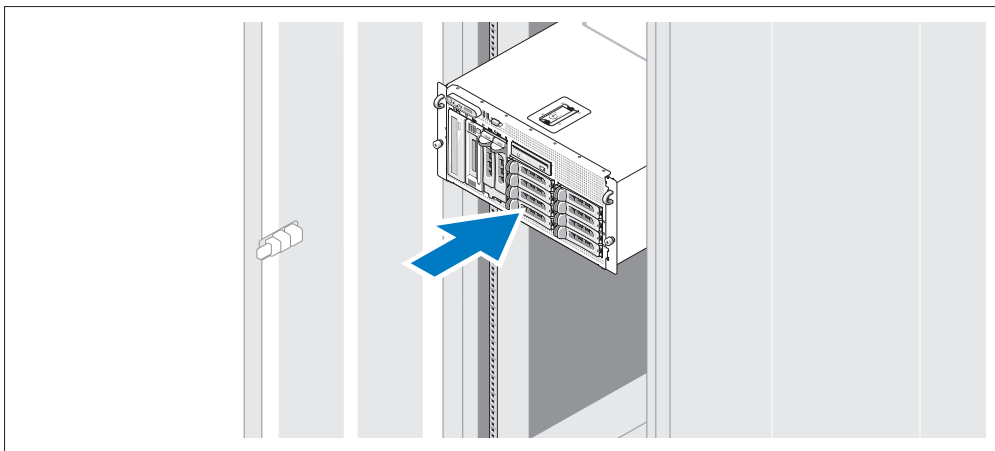
 **CUIDADO:** Sempre que precisar levantar o sistema, solicite a ajuda de outras pessoas. Para evitar ferimentos, não tente levá-lo por conta própria.

Remoção do sistema da embalagem



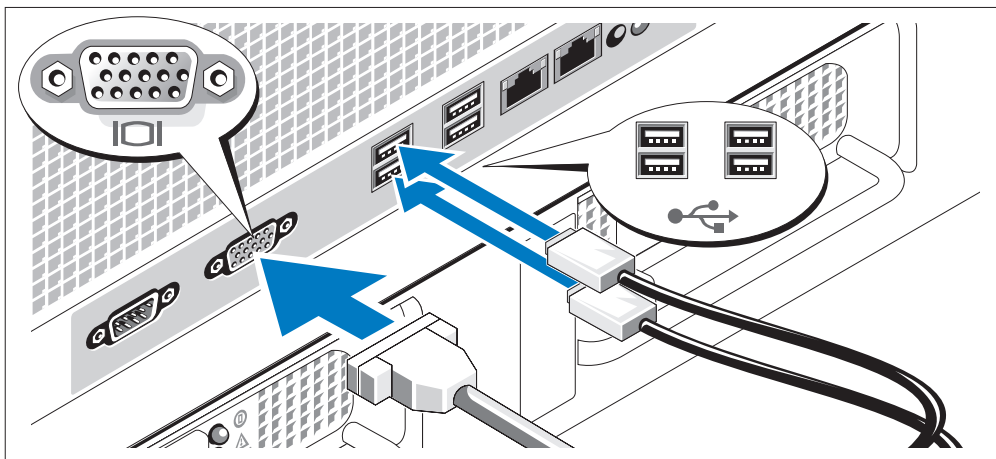
- 1 Remova o sistema da embalagem e identifique cada item.
Guarde todos os materiais de envio caso sejam necessários mais tarde.

Instalação dos trilhos e do sistema no rack



- 2 Depois de ler as instruções de segurança localizadas na documentação de instalação do rack para o sistema, instale os trilhos e o sistema no rack.
Consulte o documento de instalação em rack para obter instruções sobre como instalar o sistema em um rack.
No caso do sistema em torre, consulte a documentação fornecida com o sistema para obter informações sobre a instalação dos pés estabilizadores.

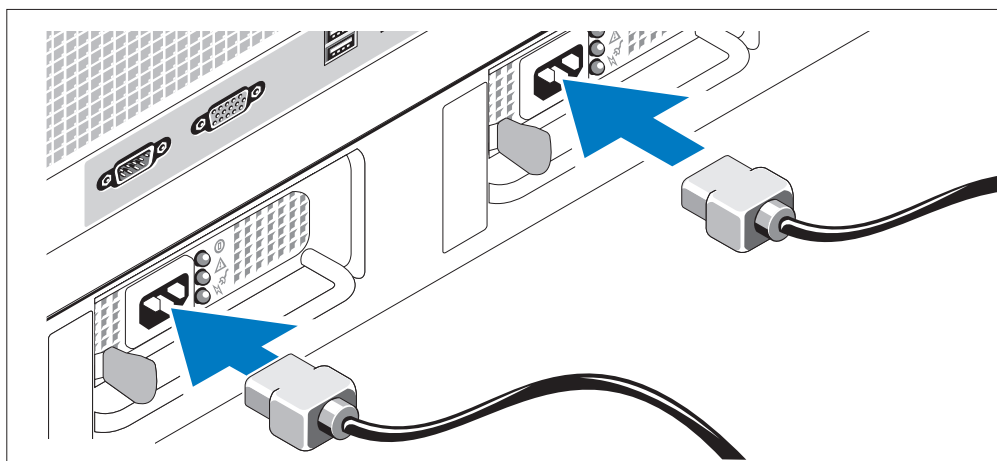
Conexão de teclado, mouse e monitor



- 3 Conecte o teclado, o mouse e o monitor (opcional).

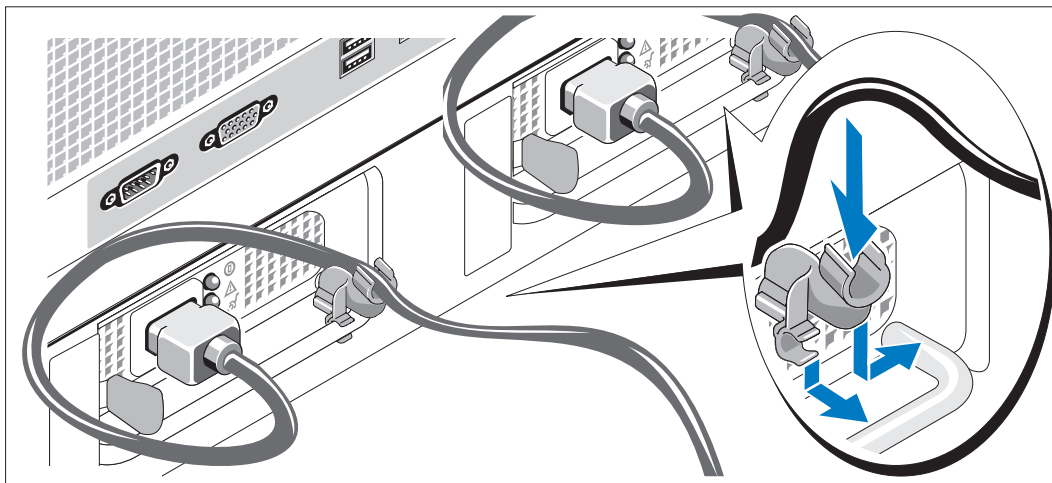
Os conectores localizados na parte traseira do sistema possuem ícones indicando quais cabos devem ser ligados a cada conector. Certifique-se de apertar os parafusos (se houver) no conector do cabo do monitor.

Conexão da energia



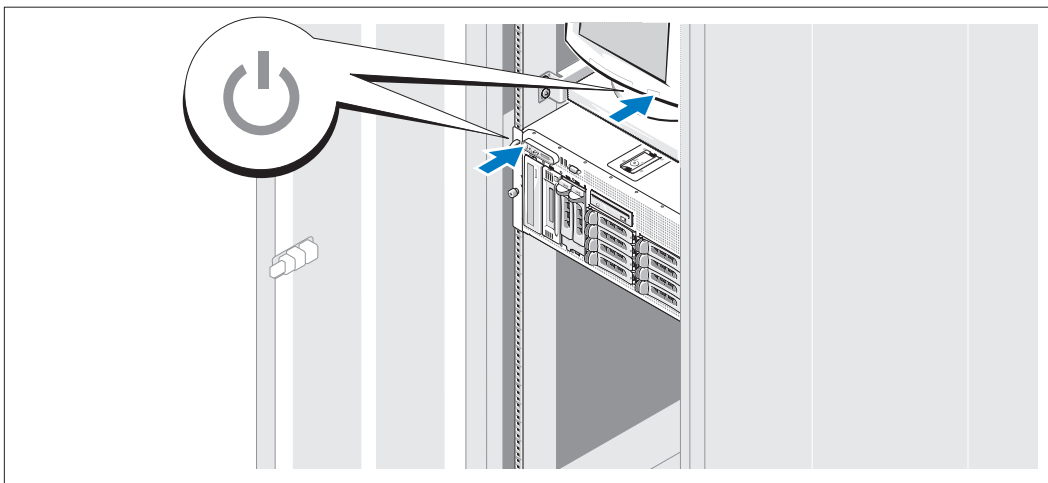
- 4 Conecte os cabos de alimentação ao sistema.
- 5 Conecte a outra extremidade do cabo a uma tomada elétrica aterrada ou a uma fonte de energia separada como, por exemplo, uma UPS (Uninterrupted Power Supply – Fonte de alimentação contínua) ou uma PDU (Power Distribution Unit – Unidade de distribuição de energia).

Instalação do suporte de retenção do cabo de alimentação



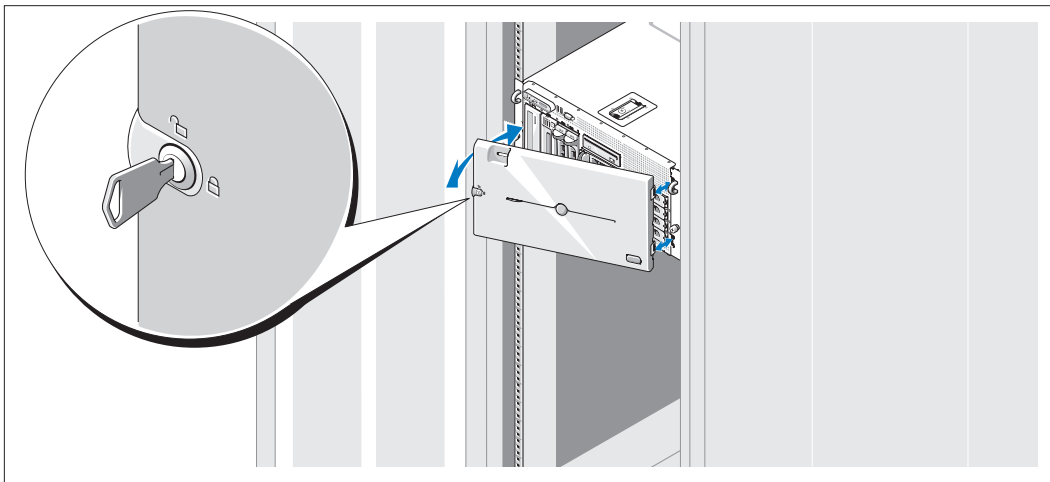
- 6 Conecte o suporte de retenção do cabo de alimentação na dobra direita da alça da fonte de alimentação. Dobre o cabo de alimentação do sistema em forma de laço conforme apresentado na ilustração e conecte-o ao colchete do cabo localizado no suporte. Repita o procedimento para a segunda fonte de alimentação.

Como ligar o sistema



- 7 Ligue o sistema e o monitor (opcional).
Pressione o botão Liga/Desliga do sistema e do monitor. As luzes indicadoras de energia deverão se acender. Ajuste os controles do monitor até que a imagem exibida seja satisfatória.

Instalação do painel



- 8 Instale o painel frontal (opcional).

Conclua a configuração do sistema operacional

Caso tenha adquirido um sistema operacional pré-instalado, consulte a respectiva documentação fornecida com o sistema. Para instalar um sistema operacional pela primeira vez, consulte o *Guia de instalação rápida*. Certifique-se de que o sistema operacional esteja instalado antes de instalar qualquer hardware ou software que não tenha sido adquirido com o sistema.

Especificações técnicas

Processador	
Tipo de processador	Um ou dois processadores Intel Xeon Dual Core Série 5000
Barramento de expansão	
Tipo de barramento	PCI, PCI-X, PCIe
Slots de expansão	
PCI-X	Dois slots de 133 MHz de 64 bits e 3,3 V, com altura total e comprimento total (slots 1 e 2)
PCIe	Um slot de pista x8 de 3,3 V (slot 3) três slots de pista x4 de 3,3 V (slots de 4 a 6)
Memória	
Arquitetura	Fully Buffered DIMMs (FBD) de 533 MHz ou 667 MHz (quando disponível)
Soquetes dos módulos de memória	Doze de 240 pinos
Capacidades dos módulos de memória	256 MB, 512 MB, 1 GB, 2 GB ou 4 GB
RAM mínima	512 MB (dois módulos de 256 MB)
RAM máxima	48 GB
Unidades	
Unidades de disco rígido	Até dez unidades SAS ou SATA internas de 3,5 polegadas com conexão automática <ul style="list-style-type: none">• Oito unidades no compartimento interno• Duas unidades no compartimento de expansão de backplane 1x2 flexbay
Unidade de disquete	Uma unidade opcional de 3,5 polegadas de 1,44 MB Unidade USB externa opcional de 3,5 polegadas de 1,44 MB
Unidade óptica	Uma unidade opcional de CD, DVD ou combinação de CD-RW/DVD NOTA: Os dispositivos de DVD destinam-se somente a dados. Unidade óptica USB externa de CD-ROM opcional Unidade óptica USB externa de DVD-ROM opcional
Unidade flash	USB externa opcional

Conectores

Parte posterior

NIC	Dois RJ-45 compatível com TOE (para NICs de 1 GB integradas)
Serial	DTE de 9 pinos, compatível com 16550
USB	Quatro de 4 pinos, compatível com USB 2.0
Vídeo	VGA de 15 pinos

Parte frontal

Vídeo	VGA de 15 pinos
USB	Dois de 4 pinos, compatível com USB 2.0

Vídeo

Tipo de vídeo	Controlador de vídeo ATI ES1000; conectores VGA
Memória de vídeo	16 MB de DDR SDRAM

Energia

Fonte de alimentação CA (por fonte de alimentação)

Potência	930 W
Voltagem	90-264 VCA, variação automática, 47-63 Hz
Dissipação de calor	Máxima de 2697 BTU/h
Corrente de entrada máxima	Sob condições de linha típicas e dentro de todo o intervalo de temperatura ambiente de funcionamento do sistema, a corrente de entrada poderá atingir 55 A por fonte de alimentação por 10 ms ou menos.

Baterias

Bateria do sistema	Pilha do tipo moeda, de íon de lítio, CR 2032 de 3,0 V
Bateria RAID (opcional)	Íon de lítio de 4,1 V

Físicas

Rack

Altura	21,77 cm (8,57 pol.)
Largura	44,27 cm (17,43 pol.) somente com o chassi 48,27 cm (19 pol.) com os flanges do rack
Profundidade	66,13 cm (26,04 pol.) não inclui o painel de controle ou o painel; o painel de controle adiciona mais 1,3 cm (0,51 pol.)
Peso (configuração máxima)	45,36 kg (100 lb)

Físicas (continuação)

Torre (sem o painel)

Altura	47,89 cm (18,85 pol.) com os pés, sem os rodízios
Largura	22,66 cm (22,66 cm.)
Profundidade	66,13 cm (26,04 pol.) não inclui o painel de controle ou o painel; o painel de controle adiciona mais 1,3 cm (0,51 pol.)
Peso (configuração máxima)	49,9 kg (110 lb)

Ambientais

NOTA: Para obter informações adicionais sobre os valores ambientais para configurações de sistema específicas, visite o site www.dell.com/environmental_datasheets (em Inglês).

Temperatura

Operacional	10 °C a 35 °C (50 °F a 95 °F).
Armazenamento	-40 °C a 65 °C (-40 °F a 149 °F).

Umidade relativa

Operacional	20% a 80% (sem condensação) com variação de umidade máxima de 10% por hora
Armazenamento	5% a 95% (sem condensação)

Vibração máxima

Operacional	0,26 G de 5-350 Hz por 2 minutos no eixo Z
Armazenamento	1,54 G de 10-250 Hz por 15 minutos em todas as orientações

Choque máximo

Operacional	Um pulso de choque no eixo z positivo (um pulso de cada lado do sistema) de 41 G por até 2 ms
Armazenamento	Seis pulsos de choque executados de forma consecutiva nos eixos x, y e z positivos e negativos (um pulso de cada lado do sistema) de 71 G por até 2 ms

Altitude

Operacional	-16 m a 3.048 m (-50 a 10.000 pés)
Armazenamento	-16 m a 10.600 m (-50 a 35.000 pés)

Sistemas Dell™ PowerEdge™ 2900

Procedimientos iniciales con el sistema

Notas, avisos y precauciones



NOTA: una NOTA proporciona información importante que le ayudará a utilizar mejor el ordenador.



AVISO: un AVISO indica la posibilidad de daños en el hardware o la pérdida de datos, e informa de cómo evitar el problema.



PRECAUCIÓN: un mensaje de PRECAUCIÓN indica el riesgo de daños materiales, lesiones o incluso la muerte.

La información contenida en este documento puede modificarse sin previo aviso.

© 2005 Dell Inc. Reservados todos los derechos.

Queda estrictamente prohibida la reproducción de este documento en cualquier forma sin la autorización por escrito de Dell Inc.

Marcas comerciales utilizadas en este texto: *Dell* y el logotipo de *DELL* son marcas comerciales de Dell Inc.; *Intel* y *Xeon* son marcas comerciales registradas de Intel Corporation; *Microsoft* y *Windows* son marcas comerciales registradas y *Windows Server* es una marca comercial de Microsoft Corporation; *Novell* y *NetWare* son marcas comerciales registradas de Novell, Inc.; *Red Hat* es una marca comercial registrada de Red Hat, Inc.; *SUSE* es una marca comercial registrada de SUSE LINUX Products GmbH.

Otras marcas y otros nombres comerciales pueden utilizarse en este documento para hacer referencia a las entidades que los poseen o a sus productos. Dell Inc. renuncia a cualquier interés sobre la propiedad de marcas y nombres comerciales que no sean los suyos.

Modelo ECM01

Noviembre de 2005

P/N YC466

Rev. A00

Características del sistema

Éstas son las características principales de hardware y software del sistema:

- Uno o dos procesadores Intel® Xeon® de doble núcleo 5000 Sequence.
- Compatibilidad con SMP (multiprocesamiento simétrico), disponible en sistemas con dos procesadores Intel Xeon. SMP mejora en gran medida el rendimiento global del sistema al repartir las operaciones del procesador entre procesadores independientes. Para aprovechar esta característica, debe utilizar un sistema operativo que admita el multiprocesamiento.



NOTA: si decide actualizar el sistema instalando un segundo procesador, debe solicitar a Dell los kits de actualización del procesador. No todas las versiones del procesador Intel Xeon funcionarán correctamente como procesadores adicionales. El kit de actualización de Dell contiene la versión correcta del procesador, del dissipador de calor y de los ventiladores, así como las instrucciones para llevar a cabo la actualización.

- Un mínimo de 512 MB en DIMM con búfer completo (FBD) a 533 o 667 MHz (si está disponible), actualizables a un máximo de 48 GB mediante la instalación de combinaciones de módulos de memoria de 256 MB, 512 MB, 1 GB, 2 GB o 4 GB en los doce zócalos de módulo de memoria de la placa base.

El sistema también dispone de memoria redundante, que puede utilizarse como sustitución de memoria o duplicación de memoria. Ambas características están disponibles si se instalan ocho o doce módulos de memoria idénticos.

- Soporte para hasta diez unidades de disco duro internas de 3,5 pulgadas y acoplamiento activo, de tipo SAS (SCSI conectado en serie) o SATA (ocho unidades de disco duro internas de 3,5 pulgadas con tarjeta de plano posterior de acoplamiento activo y soporte para dos unidades adicionales de 3,5 pulgadas y acoplamiento activo en el compartimiento para periféricos mediante la tarjeta de plano posterior 1x2 Flexbay opcional).
- El compartimiento para periféricos permite alojar una unidad óptica opcional y una unidad de copia de seguridad en cinta (TBU) de media altura opcional. Se admite una TBU de altura completa cuando el soporte 1x2 Flexbay no está insertado.
- Una unidad de disquete opcional de 3,5 pulgadas y 1,44 MB.
- Una unidad opcional de CD, de DVD o combinada de CD-RW/DVD.



NOTA: los dispositivos de DVD son sólo de datos.

- Un interruptor de intrusión que indica el software de administración de sistemas adecuado si se abre la cubierta superior.
- Hasta dos fuentes de alimentación de 930 W de acoplamiento activo en una configuración redundante 1 + 1.
- Seis ventiladores de acoplamiento activo para la refrigeración del sistema.

La placa base incluye lo siguiente:

- Seis ranuras PCI ubicadas en una canastilla para tarjetas de expansión. Las ranuras 1 y 2 son PCI-X de 3,3 V y 64 bits a 133 MHz; la ranura 3 es PCIe x8 de 3,3 V, y las ranuras de la 4 a la 6 son PCIe x4 de 3,3 V. Las ranuras para tarjetas de expansión pueden alojar tarjetas de expansión de longitud y altura completas. Las ranuras PCIe admiten tarjetas de expansión hasta x8.
- Una ranura PCI dedicada para un adaptador de bus de host SAS integrado o una tarjeta controladora RAID integrada opcional con 256 MB de memoria caché y una batería RAID.



NOTA: no es posible iniciar el sistema desde un dispositivo externo conectado a un adaptador SAS o SCSI, incluidos SAS 5/E, PERC 5/E o PERC 4e/DC. Para obtener información sobre cómo iniciar el sistema desde dispositivos externos, visite support.dell.com.


- Dos NIC Ethernet Gigabit integradas que admiten velocidades de datos de 10 Mbps, 100 Mbps y 1 000 Mbps.
- Seis conectores compatibles con USB 2.0 (dos en la parte frontal y cuatro en la parte posterior) que admiten una unidad de disquete, una unidad de CD-ROM o DVD-ROM, un teclado, un ratón o una unidad flash USB.
- Controladora de acceso remoto (RAC) opcional para la administración remota de sistemas.
- Un subsistema de vídeo integrado compatible con VGA con una controladora de vídeo PCI ATI ES1000 a 33 MHz. Este subsistema de vídeo contiene 16 MB de memoria de vídeo SDRAM DDR (no ampliable). La resolución máxima es de 1 600 x 1 200 con 64 000 colores; se admiten gráficos de color verdadero en las resoluciones siguientes: 640 x 480, 800 x 600, 1 024 x 768, 1 152 x 864 y 1 280 x 1 024. Cuando el RAC opcional está instalado, la resolución de vídeo es de 1 024 x 768.
- Circuitos de administración de sistemas que supervisan el funcionamiento de los ventiladores del sistema, así como los voltajes y temperaturas críticos del sistema. Los circuitos de administración de sistemas funcionan junto con el software de administración de sistemas.
- Controladora de administración de la placa base estándar con acceso serie.
- El panel posterior incluye un conector serie, uno de vídeo, cuatro USB y dos de NIC.
- En el panel frontal se incluye un conector de vídeo y dos USB.
- LCD de panel frontal 1x5 para la ID y los mensajes de error del sistema.
- Botón de ID del sistema en los paneles frontal y posterior.

Para obtener más información acerca de características específicas, consulte “Especificaciones técnicas” en la página 46.

Sistemas operativos admitidos

- Microsoft® Windows Server™ 2003 Standard Edition y Enterprise Edition
- Microsoft Windows Small Business Server 2003, Standard Edition y Premium Edition
- Microsoft Windows Server 2003 Standard Edition y Enterprise x64 Edition
- Red Hat® Enterprise Linux AS y ES (versiones 3 y 4) para Intel x86
- Red Hat Enterprise Linux AS y ES (versión 4) para Intel Extended Memory 64 Technology (Intel EM64T)
- SUSE® Linux Enterprise Server 9 para Intel EM64T
- Novell® NetWare® 6.5 (cuando esté disponible; no disponible instalado en fábrica)

Otra información necesaria

 **PRECAUCIÓN:** en la *Guía de información del producto* se proporciona información importante sobre seguridad y normativas. La información de la garantía puede estar incluida en este documento o constar en un documento aparte.


- En los documentos *Instrucciones de instalación del rack* o *Guía de instalación del rack* incluidos con el rack se describe cómo instalar el sistema en un rack.
- En el *Manual del propietario del hardware* se proporciona información sobre las características del sistema y se describe cómo solucionar problemas del sistema e instalar o reemplazar componentes del sistema. El *Manual del propietario del hardware* está disponible en los CD incluidos con el sistema o en support.dell.com.
- Los CD que se facilitan con el sistema proporcionan documentación y herramientas para configurar y administrar el sistema.
- Es posible que se incluyan notas de la versión o archivos Léame para proporcionar actualizaciones de última hora relativas al sistema o a la documentación, o material de consulta técnica avanzada destinado a técnicos o usuarios experimentados.

Obtención de asistencia técnica


Si no comprende un procedimiento de esta guía o si el sistema no funciona del modo esperado, consulte el *Manual del propietario del hardware*.


Tiene a su disposición el servicio de formación y certificación Dell para empresas. Para obtener más información, visite www.dell.com/training. Es posible que este servicio no se ofrezca en todas las regiones.

Instalación y configuración

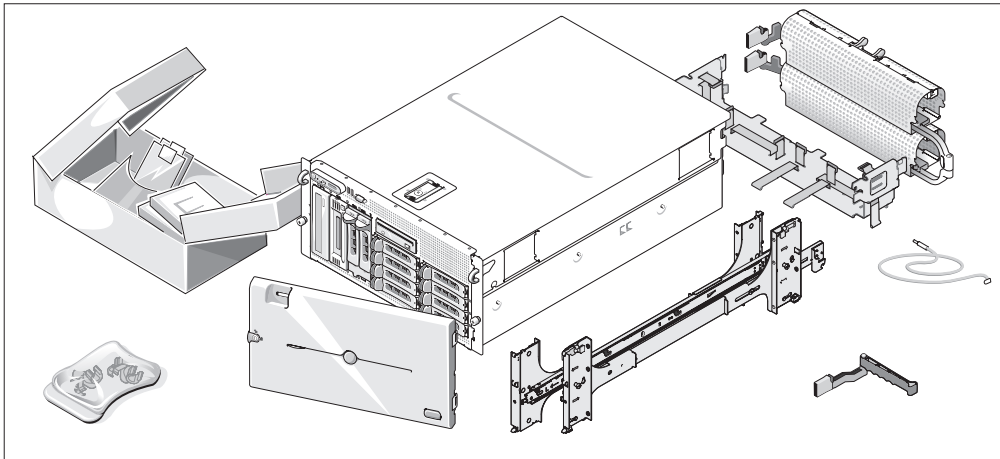
 **PRECAUCIÓN:** antes de realizar el procedimiento siguiente, lea y siga las instrucciones de seguridad y la información importante sobre normativas incluidas en la *Guía de información del producto*.

En esta sección se describen los pasos para configurar el sistema por primera vez. Las ilustraciones que se ven a continuación muestran un sistema de montaje en rack, pero el procedimiento de instalación se aplica en su mayoría a un sistema de torre independiente. Cuando se disponga a instalar el rack en el paso 2, consulte la documentación incluida con el sistema acerca de la instalación de los pies estabilizadores en el sistema.

 **PRECAUCIÓN:** es necesario instalar los pies estabilizadores en un sistema de torre independiente para proporcionar una base estable para el sistema. Si no se instalan los pies, el sistema puede volcarse, y ello puede producir lesiones personales o daños en el sistema.

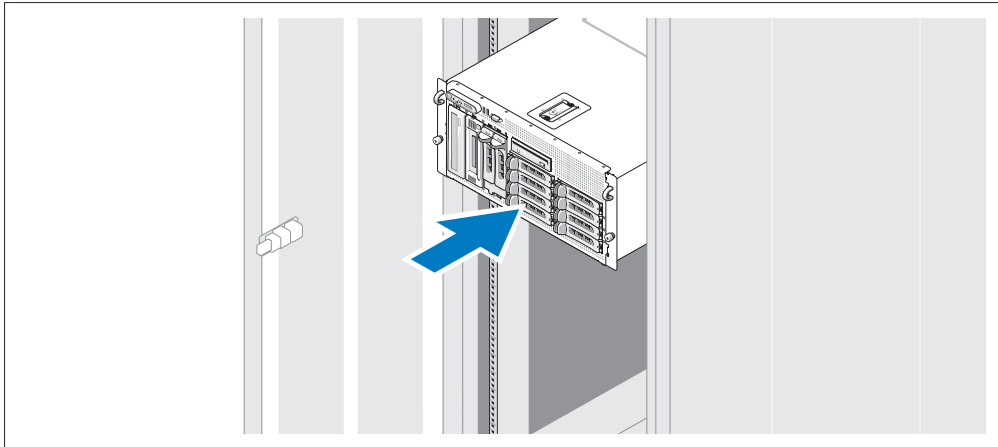
 **PRECAUCIÓN:** siempre que necesite elevar el sistema, pida la ayuda de otros. Con el fin de evitar lesiones personales, no intente mover el sistema usted solo.

Desembalaje del sistema



- 1 Desembale el sistema e identifique cada elemento.
Guarde el material de embalaje por si lo necesitara más adelante.

Instalación de los rieles y del sistema en un rack

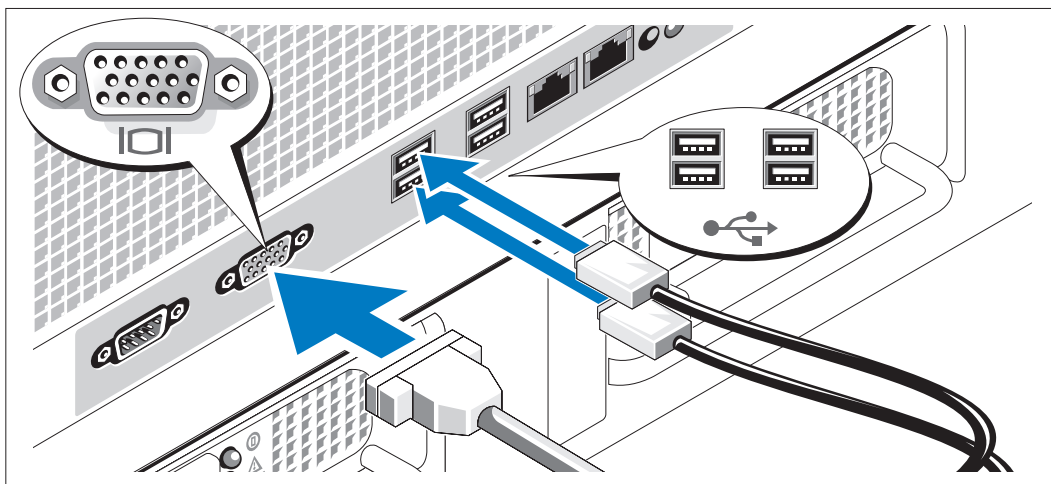


- 2 Una vez que haya leído las “Instrucciones de seguridad” de la documentación del sistema relativa a la instalación del rack, instale los rieles y el sistema en el rack.

Consulte la documentación de instalación del rack para obtener instrucciones sobre la instalación del sistema en un rack.

Para un sistema de torre, consulte la documentación incluida con el sistema para la instalación de los pies estabilizadores.

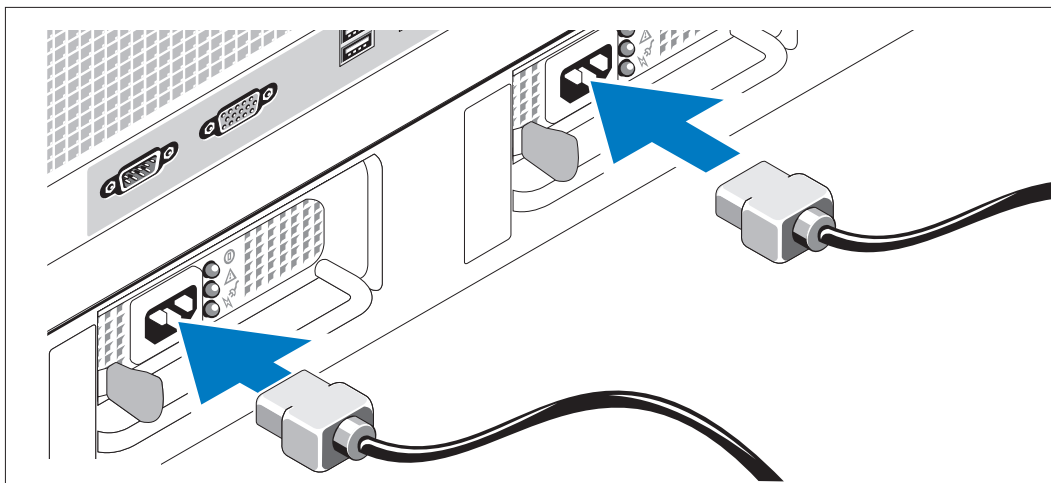
Conexión del teclado, el ratón y el monitor



- 3 Conecte el teclado, el ratón y el monitor (opcional).

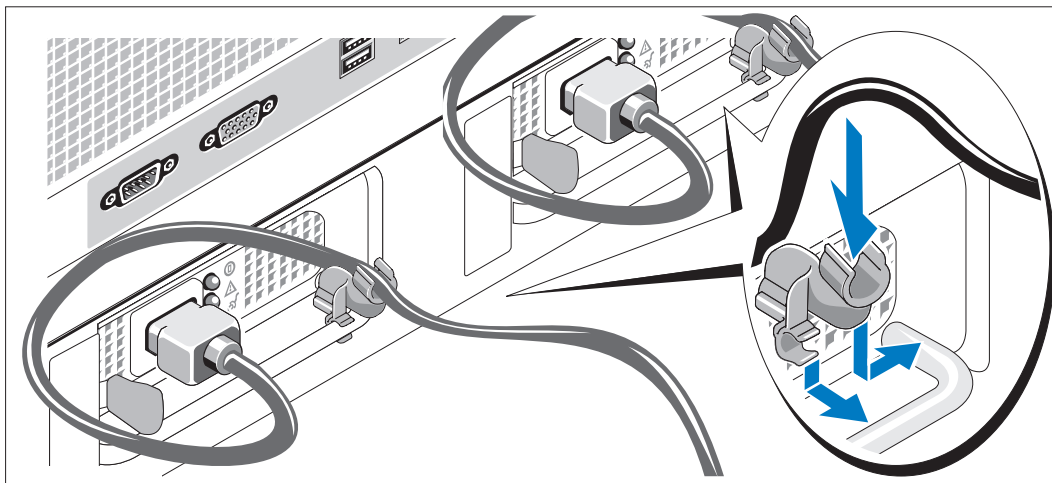
Los conectores de la parte posterior del sistema tienen iconos que indican qué cable enchufar a cada conector. Asegúrese de apretar los tornillos (si los hubiera) del conector del cable del monitor.

Conexión de la alimentación



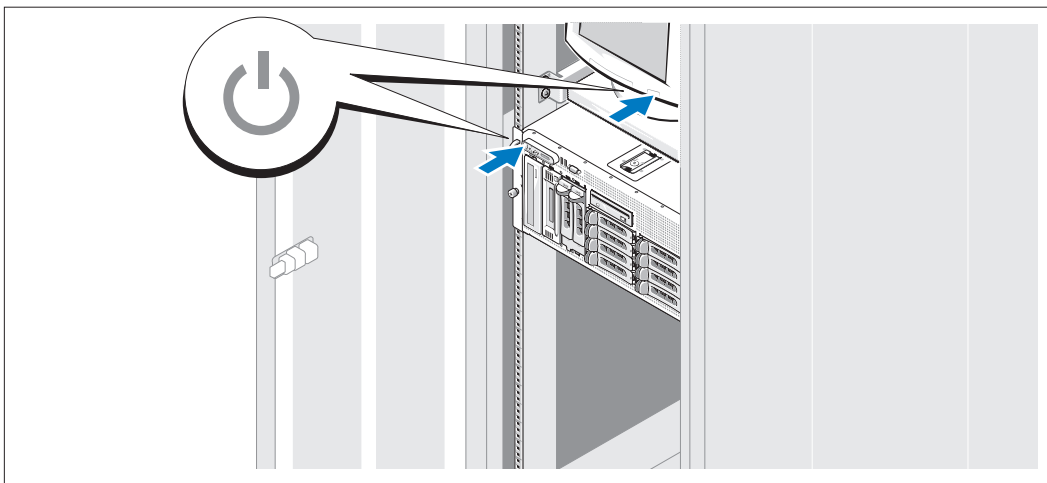
- 4 Conecte los cables de alimentación al sistema.
- 5 Conecte el extremo opuesto del cable a una toma eléctrica con conexión a tierra o a otra fuente de alimentación, como un sistema de alimentación ininterrumpida (SAI) o una unidad de distribución de alimentación (PDU).

Instalación del soporte de retención del cable de alimentación



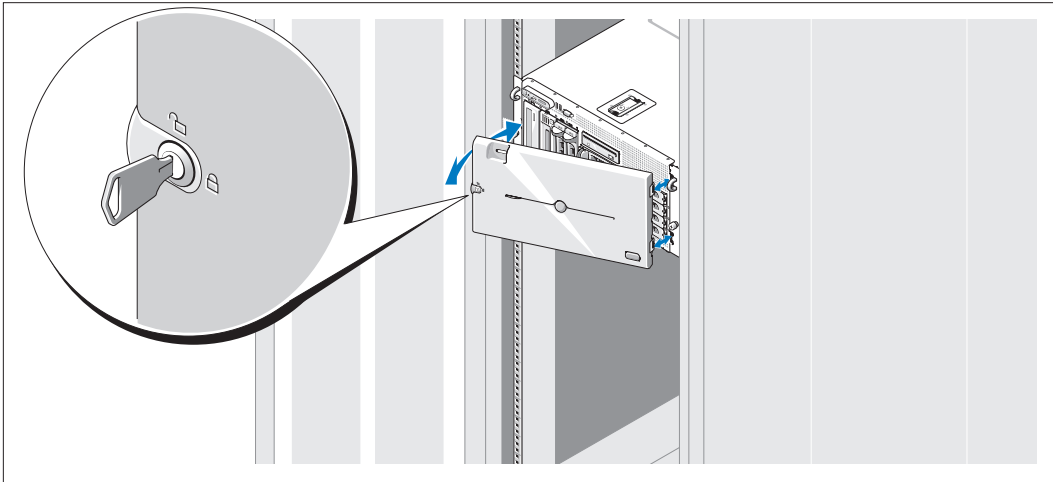
- 6 Fije el soporte de retención del cable de alimentación en el codo derecho del asa de la fuente de alimentación. Doble el cable de alimentación del sistema en forma de bucle, tal como se muestra en la ilustración, y fíjelo a la abrazadera correspondiente del soporte. Repita el procedimiento para la segunda fuente de alimentación.

Encendido del sistema



- 7 Encienda el sistema y el monitor (opcional).
Presione el botón de encendido del sistema y del monitor. Deberán encenderse los indicadores de alimentación. Ajuste los controles del monitor hasta que la imagen mostrada sea satisfactoria.

Instalación del embellecedor



- 8 Instale el embellecedor (opcional).

Configuración del sistema operativo

Si ha adquirido un sistema operativo preinstalado, consulte la documentación del sistema operativo que se suministra con el sistema. Para instalar un sistema operativo por primera vez, consulte la *Guía de instalación rápida*. Asegúrese de que el sistema operativo está instalado antes de instalar hardware o software no adquirido con el sistema.

Especificaciones técnicas

Procesador	
Tipo de procesador	Uno o dos procesadores Intel Xeon de doble núcleo 5000 Sequence
Bus de expansión	
Tipo de bus	PCI, PCI-X, PCIe
Ranuras de expansión	
PCI-X	Dos ranuras para tarjetas de altura y longitud completas de 3,3 V y 64 bits a 133 MHz (ranuras 1 y 2)
PCIe	Una ranura x8 de 3,3 V (ranura 3) Tres ranuras x4 de 3,3 V (ranuras de la 4 a la 6)
Memoria	
Arquitectura	Módulos DIMM con búfer completo (FBD) a 533 o 667 MHz (cuando estén disponibles)
Zócalos de módulo de memoria	Doce de 240 patas
Capacidades de módulo de memoria	256 MB, 512 MB, 1 GB, 2 GB o 4 GB
RAM mínima	512 MB (dos módulos de 256 MB)
RAM máxima	48 GB
Unidades	
Unidades de disco duro	Un máximo de diez unidades internas SAS o SATA de 3,5 pulgadas y acoplamiento activo <ul style="list-style-type: none">• Ocho unidades en el compartimiento interno para unidades• Dos unidades en la tarjeta de expansión de plano posterior 1x2 Flexbay opcional
Unidad de disquete	Una unidad opcional de 3,5 pulgadas y 1,44 MB Unidad USB externa opcional de 3,5 pulgadas y 1,44 MB
Unidad óptica	Una unidad IDE opcional de CD, de DVD o combinada de CD-RW/DVD NOTA: los dispositivos de DVD son sólo de datos. Unidad de CD-ROM USB externa opcional Unidad de DVD-ROM USB externa opcional
Unidad flash	Unidad USB externa opcional

Conectores	
Parte posterior	
NIC	Dos RJ-45 compatibles con TOE (para NIC de 1 GB integradas)
Serie	9 patas, DTE, compatible con el estándar 16550
USB	Cuatro de 4 patas compatibles con USB 2.0
Vídeo	VGA de 15 patas
Parte frontal	
Vídeo	VGA de 15 patas
USB	Dos de 4 patas compatibles con USB 2.0
Vídeo	
Tipo de vídeo	Controladora de vídeo ATI ES1000; conectores VGA
Memoria de vídeo	16 MB de SDRAM DDR
Alimentación	
Suministro de energía de CA (por fuente de alimentación)	
Potencia	930 W
Voltaje	90–264 V CA, autoajustable, 47–63 Hz
Disipación de calor	2 697 BTU/h (789,7 W) como máximo
Máxima corriente a la conexión	En condiciones normales de línea y en todo el ambiente del rango operativo del sistema, la corriente a la conexión puede alcanzar los 55 A por cada fuente de alimentación durante 10 ms o menos.
Baterías	
Batería del sistema	Batería de tipo botón de ion-litio de 3,0 V CR2032
Batería RAID (opcional)	Ion-litio de 4,1 V
Características físicas	
Rack	
Altura	21,77 cm
Anchura	44,27 cm (sólo chasis) 48,27 cm (con las superficies de montaje del rack)

Características físicas (continuación)

Profundidad	66,13 cm (no incluye el panel de control ni el embellecedor; el panel de control supone 1,3 cm adicionales)
Peso (configuración máxima)	45,36 kg
Torre (sin embellecedor)	
Altura	47,89 cm (con pies y sin ruedas)
Anchura	22,66 cm
Profundidad	66,13 cm (no incluye el panel de control ni el embellecedor; el panel de control supone 1,3 cm adicionales)
Peso (configuración máxima)	49,9 kg

Condiciones ambientales

NOTA: para obtener información adicional sobre medidas ambientales relativas a configuraciones de sistema específicas, visite la página Web www.dell.com/environmental_datasheets.

Temperatura

En funcionamiento	De 10 °C a 35 °C
En almacenamiento	De -40 °C a 65 °C

Humedad relativa

En funcionamiento	Del 20 al 80 % (sin condensación) con una gradación de humedad máxima del 10 % por hora
En almacenamiento	Del 5 al 95 % (sin condensación)

Vibración máxima

En funcionamiento	0,26 G de 5 a 350 Hz durante 2 min en el eje Z
En almacenamiento	1,54 G de 10 a 250 Hz durante 15 min en todas las orientaciones

Impacto máximo

En funcionamiento	Un choque positivo en el eje z (un choque en cada lado del sistema) de 41 G durante un máximo de 2 ms
En almacenamiento	Seis choques ejecutados consecutivamente en el sentido positivo y negativo de los ejes x, y y z (un choque en cada lado del sistema) de 71 G durante un máximo de 2 ms

Altitud

En funcionamiento	De -16 a 3 048 m
En almacenamiento	De -16 a 10 600 m